

**TTR 57 E**

**EN**

**INSTRUCTIONS**  
DEHUMIDIFIER



 **TROTEC**

**Table of contents**

**Information on the use of these instructions** ..... 2

**Safety** ..... 2

**Information about the device**..... 4

**Transport and storage**..... 5

**Assembly and start-up**..... 6

**Operation** ..... 8

**Available accessories**..... 11

**Errors and faults**..... 11


**Maintenance** ..... 12


**Technical annex**..... 15


**Disposal** ..... 19

**Information on the use of these instructions**


**Symbols**


 **Warning of electrical voltage**  
This symbol indicates dangers to the life and health of persons due to electrical voltage.

 **Warning**  
This signal word indicates a hazard with an average risk level which, if not avoided, can result in serious injury or death.

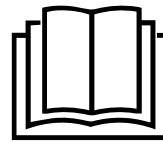
 **Caution**  
This signal word indicates a hazard with a low risk level which, if not avoided, can result in minor or moderate injury.

**Notice**  
This signal word indicates important information (e.g. material damage), but does not indicate hazards.

 **Info**  
Information marked with this symbol helps you to carry out your tasks quickly and safely.

 **Follow the manual**  
Information marked with this symbol indicates that the instructions must be observed.

You can download the current version of the instructions and the EU declaration of conformity via the following link:



TTR 57 E



<https://hub.trotec.com/?id=42658>

**Safety**

**Read this manual carefully before starting or using the device. Always store the manual in the immediate vicinity of the device or its site of use.**



**Warning**

**Read all safety warnings and all instructions.** Failure to follow the warnings and instructions may result in electric shock, fire and/or serious injury. **Save all warnings and instructions for future reference.**

This appliance can be used by children aged from 8 years and above and persons with reduced physical, sensory or mental capabilities or lack of experience and knowledge if they have been given supervision or instruction concerning use of the appliance in a safe way and understand the hazards involved.

Children shall not play with the appliance. Cleaning and user maintenance shall not be done by children without supervision.

- Do not use the device in potentially explosive rooms or areas and do not install it there.
- Do not use the device in an aggressive atmosphere.
- Place the device in an upright and stable position on horizontal and stable ground.
- Let the device dry out after a wet clean. Do not operate it when wet.
- Do not use the device with wet or damp hands.
- Do not expose the device to directly squirting water.
- Do not cover the device during operation.
- Do not sit on the device.
- This appliance is not a toy. Keep away from children and animals.
- Occasionally observe the device during operation.
- Check accessories and connection parts for possible damage prior to every use of the device. Do not use any defective devices or device parts.

- Ensure that all electric cables outside of the device are protected from damage (e.g. caused by animals). Never use the device if electric cables or the power connection are damaged!
- The mains connection must correspond to the specifications in the Technical annex.
- Insert the mains plug into a properly fused mains socket.
- Observe the device's power input, cable length and intended use when selecting extensions to the power cable. Completely unroll extension cables. Avoid electrical overload.
- Before carrying out maintenance, care or repair work on the device, remove the mains plug from the mains socket. Hold onto the mains plug while doing so.
- Switch the device off and disconnect the power cable from the mains socket when the device is not in use.
- When positioning the device, observe the minimum distances from walls and other objects as well as the storage and operating conditions specified in the Technical annex.
- Make sure that the air inlet and outlet are not obstructed.
- Make sure that the suction side is kept free of dirt and loose objects.
- Never insert any objects or limbs into the device.
- Do not remove any safety signs, stickers or labels from the device. Keep all safety signs, stickers and labels in legible condition.
- Only transport the device in an upright position with an emptied condensation tank or drain hose.
- Discharge the collected condensate before transport and storage. Do not drink it. Health hazard!
- Only use original spare parts, for otherwise safe and functional operation cannot be ensured.

### **Intended use**

Only use the device for drying and dehumidifying room air, while adhering to and following the technical data.

In addition, the device may also be used as a kind of clothes dryer to dry wet laundry.

Intended use comprises:

- dehumidifying and drying:
  - living rooms, bedrooms, bathrooms and basements
  - bathrooms
  - laundries, holiday homes, camper vans, boats
- maintaining the dryness of:
  - storage spaces, archives, laboratories, garages
  - bathrooms, wash rooms, changing rooms etc.

Any use other than the intended use is regarded as misuse.

### **Reasonably foreseeable misuse**

- The device is not intended for industrial use.
- Do not place any objects, e.g. clothing, on the device.
- Do not use the device out of doors.
- Do not use the device in the immediate vicinity of swimming pools, bathtubs and showers.
- Never immerse the device in water.
- Do not make any unauthorised modifications, alterations or structural changes to the device.
- Do not place the device on wet or flooded ground, e.g. near floor drains.

### **Personnel qualification**

People who use this device must:

- be aware of the dangers that occur when working with electric devices in damp areas.
- have read and understood the instructions, especially the Safety chapter.

Maintenance tasks which require the housing to be opened must only be carried out by specialist companies for cooling and air-conditioning or by the manufacturer.

## Residual risks



### Warning of electrical voltage

Work on the electrical components must only be carried out by an authorised specialist company!



### Warning of electrical voltage

Risk of electric shock!

The device is not protected against water.

There is a risk of electric shock!

Never use the device in areas where dripping, spraying or running water can enter the device! Never immerse the device in water!



### Warning of electrical voltage

Risk of electric shock!

Risk of an electric shock if the device comes into contact with water!

Do not use this device in the immediate vicinity of bathtubs, showers or swimming pools!



### Warning of electrical voltage

Before any work on the device, remove the mains plug from the mains socket!

Do not touch the mains plug with wet or damp hands.

Hold onto the mains plug while pulling the power cable out of the mains socket.



### Warning

Dangers can occur at the device when it is used by untrained people in an unprofessional or improper way! Observe the personnel qualifications!



### Warning

The device is not a toy and does not belong in the hands of children.



### Warning

Risk of suffocation!

Do not leave the packaging lying around. Children may use it as a dangerous toy.

### Notice

Do not operate the device without an air filter inserted into the air inlet!

Without the air filter, the inside of the device will be heavily contaminated. This can reduce the performance and result in damage to the device.

## Behaviour in the event of an emergency

1. Switch the device off.
2. Disconnect the device from the mains: Hold onto the mains plug while pulling the power cable out of the mains socket.
3. Do not reconnect a defective device to the mains.

## Information about the device

### Device description

The TTR 57 E operates on the desiccant principle, without compressor or refrigerant.

The fully automatic control and the condensation tank with integrated overflow protection ensure fault-free operation.

The fan draws in damp room air via the air inlet with air filter, the condenser and the desiccant wheel located behind it.

Within the internal regeneration circuit the air is led via a heating element, it dries the desiccant wheel and leads the moist, warm air through the condenser. At the cooler condenser, heat is withdrawn from the room air and cooled below dew point. The water vapour contained in the room air precipitates in form of condensate. The condensate drops into the condensation tank. Optionally, the condensate can be discharged via a condensation hose connected to the connection opening.

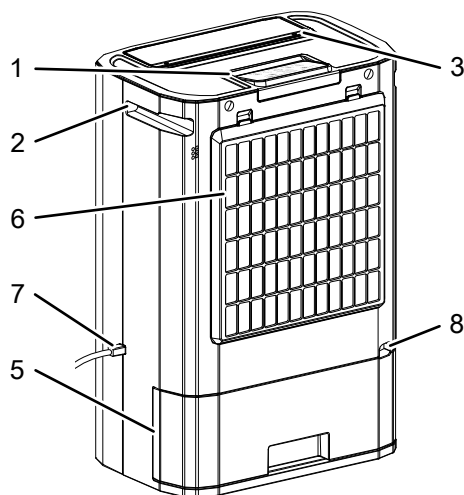
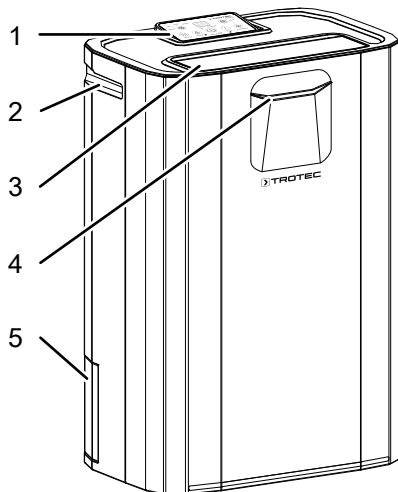
The drier air, thus conditioned, is fed back to the room air via the air outlet. The drier air mixes with the air in the room. The relative humidity in the room where the device is positioned is reduced by the constant circulation of the room air.

A float is attached inside the condensation tank, which in case of a filled condensation tank interrupts the dehumidification. When switching off, the device emits an acoustic signal and the *Tank Full* LED on the control panel is illuminated (see chapter Operation). The indicator light only goes out again once the emptied condensation tank is reinserted.

In addition, the device may also be used as a kind of clothes dryer to dry wet laundry.

The device is not protected against water (IPX0).

## Device depiction



No.	Designation
1	Control panel
2	Handle
3	Air outlet
4	Colour LED indication for humidity level blue = humidity > 70 % green = humidity 50 % – 70 % red = humidity < 50 %
5	Condensation tank
6	Air inlet with air filter
7	Power cable
8	Connection opening for condensation hose

## Transport and storage

### Notice

If you store or transport the device improperly, the device may be damaged.

Note the information regarding transport and storage of the device.

### Transport

To make the device easier to transport, it is fitted with a carry handle.

**Before** transporting the device, observe the following:

- Switch the device off.
  - Due to the follow-up time of the internal components, the device only switches off completely after approx. 2 minutes.
- Hold onto the mains plug while pulling the power cable out of the mains socket.
- Drain the remaining condensate from the device and the condensation drain hose (see chapter Maintenance).
- Do not use the power cable to drag the device.

**After** transporting the device, proceed as follows:

- Set up the device in an upright position after transport.
- Leave the device to rest for one hour before switching it back on. Otherwise the device could be damaged and no longer work properly. Any warranty claims will be voided in this case.

### Storage

**Before** storing the device, proceed as follows:

- Drain the remaining condensate from the device and the condensation drain hose (see chapter Maintenance).
- Hold onto the mains plug while pulling the power cable out of the mains socket.

When the device is not being used, observe the following storage conditions:

- Store the device in a dry location and protected from frost and heat.
- Store the device in an upright position where it is protected from dust and direct sunlight.
- If required, use a cover to protect the device from invasive dust.
- Place no further devices or objects on top of the device to prevent it from being damaged.

## Assembly and start-up

### Scope of delivery

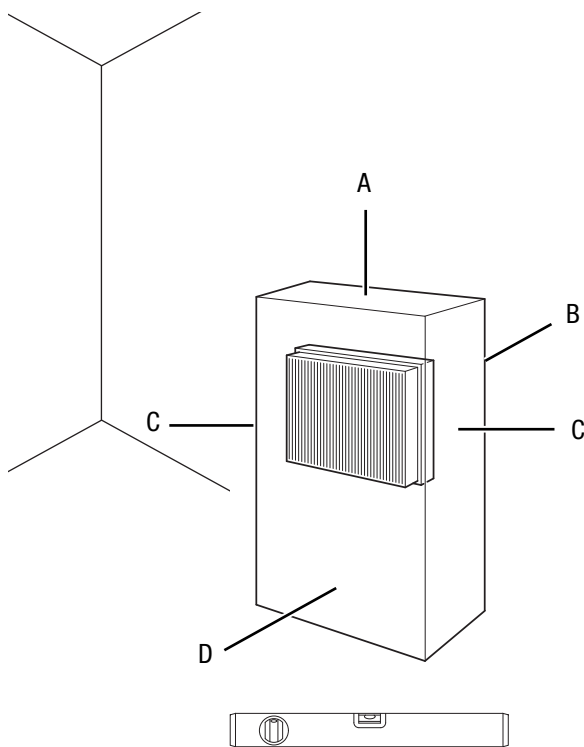
- 1 x Device
- 1 x Air filter
- 1 x Activated carbon filter
- 1 x Manual

### Unpacking the device

1. Open the cardboard box and take the device out.
2. Completely remove the packaging.
3. Fully unwind the power cable. Make sure that the power cable is not damaged and that you do not damage it during unwinding.

### Start-up

When positioning the device, observe the minimum distance from walls or other objects as described in the chapter Technical annex.



- Before restarting the device, check the condition of the power cable. If there are doubts as to the sound condition, contact the customer service.
- Place the device in an upright and stable position on horizontal and stable ground.
- Do not create tripping hazards when laying the power cable or other electric cables, especially when positioning the device in the middle of the room. Use cable bridges.
- Make sure that extension cables are completely unrolled.

- When positioning the device, keep a sufficient distance to heat sources.
- Make sure that no curtains or other objects interfere with the air flow.
- When positioning the device, secure the device locally with an RCD (Residual Current Device) which complies with the appropriate regulations.

### Notes regarding the dehumidification performance

The dehumidification performance depends on:

- the layout of the room
- the room temperature
- the relative humidity

The higher the room temperature and relative humidity, the greater the dehumidification performance.

For use in living rooms, a relative humidity of approx. 50 to 60 % is sufficient. In storage facilities and archives, the humidity should not exceed approx. 50 %.

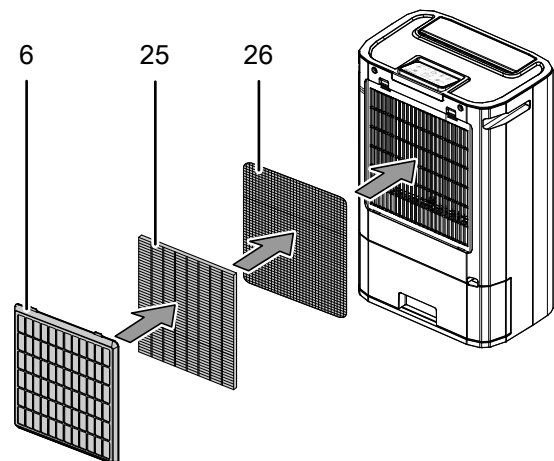
### Inserting the air filter

#### Notice

Do not operate the device without an air filter inserted into the air inlet!

Without the air filter, the inside of the device will be heavily contaminated. This can reduce the performance and result in damage to the device.

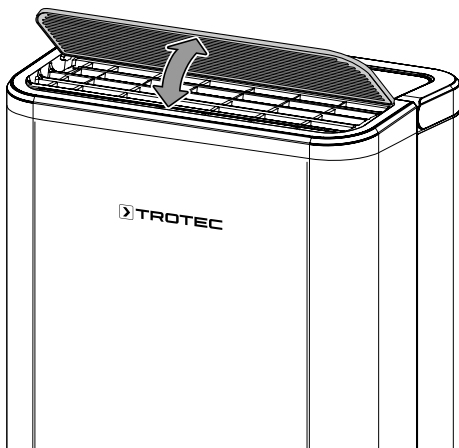
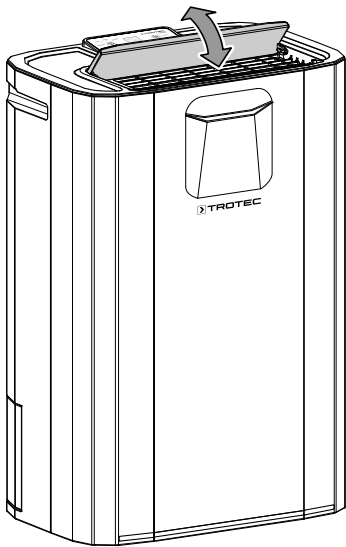
- Make sure that the air filter is installed before switching the device on.



No.	Operating element
6	Air filter
25	HEPA filter (optional)
26	Activated carbon filter

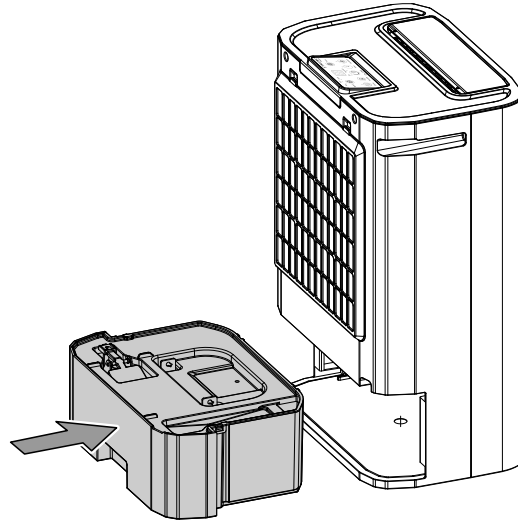
### Opening the ventilation flaps

1. Prior to switching the device on, open the ventilation flaps at the air outlet.



### Inserting the condensation tank

- Ensure that the float inside the condensation tank is inserted correctly.
- Ensure that the condensation tank is empty and inserted correctly.



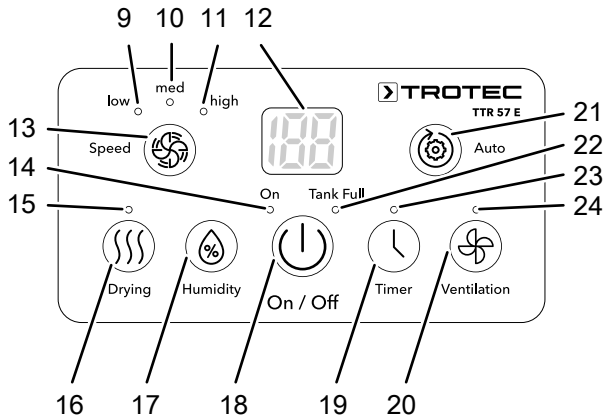
### Connecting the power cable

- Insert the mains plug into a properly secured mains socket.

**Operation**

- After being switched on, the device operates fully automatically – depending on the selected operating mode or until the float indicates that the condensation tank is full and the device switches itself off.
- Avoid open doors and windows.

**Operating elements**



No.	Designation	Meaning
9	low LED	Indication of low fan speed
10	med LED	Indication of medium fan speed
11	high LED	Indication of high fan speed
12	Segment display	Indicates the room temperature (0 to 50 °C) Indicates the ambient air's relative humidity (35 % to 95 % RH) Indicates the set humidity level when pressing the <i>Humidity</i> button Indicates the preselected hours for approx. 8 seconds when pressing the <i>Timer</i> button
13	Speed button	Sets the fan speed
14	On LED	Illuminated in green = operation indication Flashes red = device tilted (over)
15	Drying LED	Laundry drying mode indication
16	Drying button	Starts laundry drying mode
17	Humidity button	Sets the target humidity value: continuous operation (CO), 40 %, 50 %, 60 %, 70 %
18	On/Off button	Switches the device on or off
19	Timer button	Starts programming the timer function
20	Ventilation button	Starts <i>ventilation</i> mode

No.	Designation	Meaning
21	Auto button	Starts automatic mode > 70 % RH = <i>High</i> fan speed 55 % – 70 % RH = <i>Low</i> fan speed < 55 % RH = The device switches off for 30 minutes and will then check the relative humidity level again Automatic start-up at more than 55 % RH
22	Tank full LED	Condensation tank full or not positioned correctly indication
23	Timer LED	Timer function indication
24	Ventilation LED	<i>Ventilation</i> mode indication



**Warning of electrical voltage**

Risk of electric shock!  
The device is not protected against water.  
There is a risk of electric shock!  
Never use the device in areas where dripping, spraying or running water can enter the device! Never immerse the device in water!

**Switching the device on**

Once you have completely installed the device as described in the chapter Assembly and start-up, you can switch it on.

**Notice**

Wait for 3 minutes before you switch the device back on (e.g. after draining the condensation tank).

1. Use the *On/Off* button (18) to switch the device on.  
⇒ The device starts to dehumidify.

**Setting the operating mode**

**Ventilation mode**

The device can be set to three fan speeds: *low*, *med* and *high*.

**Low:**

The device operates at a low fan speed and low heating capacity to save energy and keep the operating noise to a minimum. The heating switches off when the relative humidity in the ambient air falls below the set nominal value. If the humidity increases to above the set value, the heating will switch on again. The indication for the room humidity level on the front of the device is deactivated.

**Med:**

The device operates at normal fan speed and high heating capacity.

**High:**

The device operates at high fan speed and high heating capacity.



Select the fan speed as follows:

1. Press the *Speed* button (13) until the *low* LED (9) is illuminated.
2. Repeatedly press the *Speed* button (13) until the *med* LED (10) is illuminated.
3. Repeatedly press the *Speed* button (13) until the *high* LED (11) is illuminated.

### Setting the desired relative room humidity

You can adjust the desired relative room humidity. The selected room humidity level is indicated on the segment display (12). You can select the following settings: continuous operation (CO), 40 %, 50 %, 60 % and 70 %. To do so, please proceed as follows:

1. Press the *Humidity* button (17).
  - ⇒ The selected room humidity level is indicated on the segment display (12).
2. Press the *Humidity* button (17) again until the desired value is shown on the segment display (12).

### Continuous operation

The device dehumidifies the air constantly and regardless of the relative humidity.

The desired relative room humidity cannot be adjusted in this operating mode.

1. Use the *On/Off* button (18) to switch the device on.
2. Press the *Humidity* button (17) until the segment display (12) shows continuous operation (CO).

For reasons of safety, the device switches off automatically for 30 minutes after 8 hours of continuous operation. After the 30 minutes have passed, the cycle starts again and the device switches back on for another 8 hours.

### Ambient temperature above 36 °C

If the ambient temperature exceeds 36 °C, the heating switches off for 30 minutes while the fan keeps running. After the 30 minutes have passed, the device checks the room humidity and temperature. If the room humidity is higher than the previously selected value, the device switches back on for another 8 hours. If the room humidity is lower than this value or if the ambient temperature is higher than 36 °C, the device switches off again for another 30 minutes.

### Colour LED for current room humidity

Regardless of the operating mode, the colour LED indicates the current relative room humidity by means of 3 different colours.

LED colour	Meaning
Blue	Relative room humidity above 70 %
Green	Optimal relative room humidity between 50 % and 70 %
Red	Relative room humidity below 50 %

### Setting the timer

For the device to switch on or off automatically after a predefined number of hours (1 to 24) you can programme the timer.

The timer can be programmed in increments of 1 hour (1 to 24 h).

#### Notice

The device must not be left unattended in a freely accessible room with an activated timer.

### Automatic switch-on

1. Switch the device off.
2. Press and hold the *Timer* button (19) until the segment display (12) shows the desired duration in hours.
  - ⇒ The *Timer* LED (23) is illuminated.
  - ⇒ The number of hours is shown on the segment display (12).
  - ⇒ After the predefined time, the device switches itself on.

### Automatic switch-off

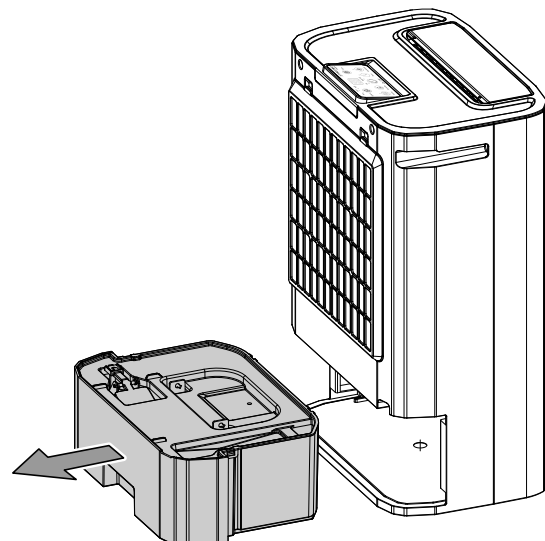
- ✓ The device is switched on.
1. Press and hold the *Timer* button (19) until the segment display (12) shows the desired duration in hours.
    - ⇒ The *Timer* LED (23) is illuminated.
    - ⇒ The number of hours is shown on the segment display (12).
    - ⇒ After the predefined time, the device switches itself off.

### Operation with hose attached to the condensation connection

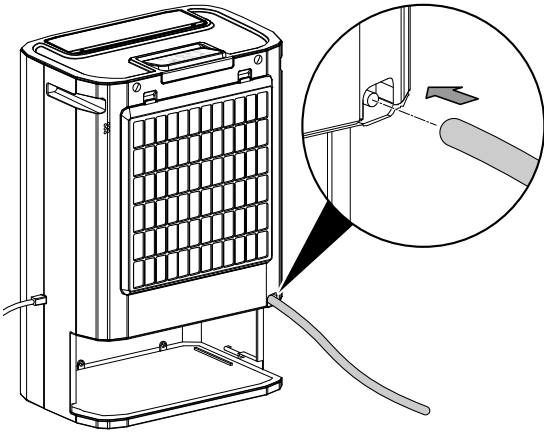
At a high humidity level it is recommendable to constantly drain the condensate via a hose, for otherwise the condensation tank has to be emptied too frequently.

To do so, proceed as follows:

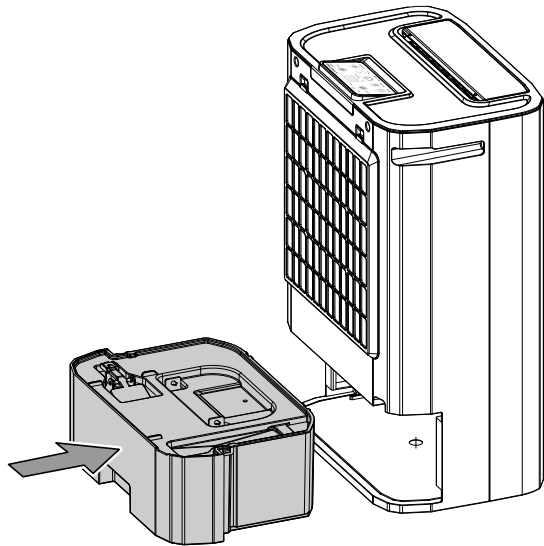
- ✓ A suitable hose (diameter: 11 mm) is ready for use.
  - ✓ The device is switched off.
1. Remove the condensation tank (5).



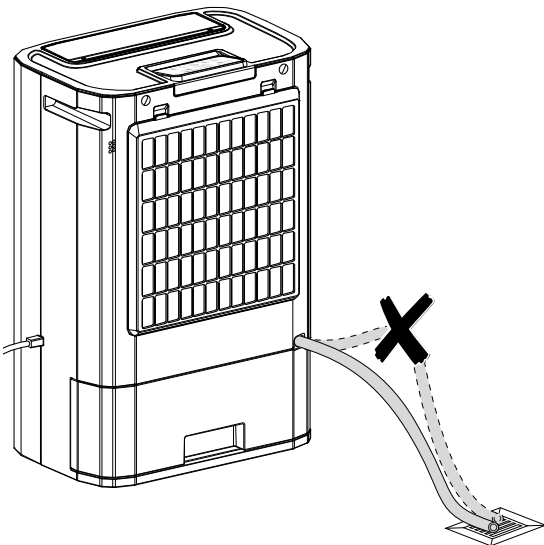
2. Push one end of the hose onto the hose connection.



3. Put the condensation tank (5) back in.



4. Guide the other hose end to a suitable drain or sufficiently dimensioned collection container. Please note that the hose must not be kinked.



**Drying laundry**

In addition, the device may also be used as a kind of clothes dryer to dry wet laundry in living or working spaces.

When positioning the device or a clothes horse, please observe the minimum distances specified in the technical data.

The following humidity values are suitable for drying laundry:

- cupboard dry = 46 % relative humidity
- iron dry = 58 % relative humidity
- slightly dried = 65 % relative humidity

Adjust the settings for the relative humidity level to the device (e.g. 60 % relative humidity for iron dry laundry). If necessary, use a measuring device to determine the humidity level.

**Shutdown**



**Warning of electrical voltage**

Do not touch the mains plug with wet or damp hands.

- Switch off the device.
- Wait for approx. 2 minutes.
  - Due to the follow-up time of the internal components, the device only switches off completely after approx. 2 minutes.
- Hold onto the mains plug while pulling the power cable out of the mains socket.
- Empty the condensation tank, if need be.
- Clean the device according to the Maintenance chapter.
- Store the device according to the Transport and storage chapter.

## Available accessories



### Warning

Only use accessories and additional equipment specified in the instructions.  
Using insertion tools or accessories other than those specified in the instructions may cause a risk of injury.

Designation	Article number
HEPA filter TTR 57 E	7.710.000.051

## Errors and faults

The device has been checked for proper functioning several times during production. If malfunctions occur nonetheless, check the device according to the following list.

### Notice

Wait for at least 3 minutes after maintenance and repair work. Only then switch the device back on.

### The device does not start:

- Check the power connection.
- Check the power cable and mains plug for damage.
- Check the on-site fusing.
- Check the condensation tank for correct seating.
- The device comes equipped with a tilt protection, it switches off automatically when tilted. The *On* LED (14) is illuminated in green during operation. When *On* LED (14) flashes red, check whether device is in an upright position on a level surface.
- Check the room temperature. Observe the device's permissible operating range according to the technical data.

### The device is running, but there is no formation of condensate:

- Check the float in the condensation tank for dirt. If necessary, clean the condensation tank. The float must be able to move freely.
- Check the room temperature. Observe the device's permissible operating range according to the technical data.
- Ensure that the relative room humidity complies with the technical data.
- Check the air filter for dirt. If necessary, clean or replace the air filter.

### The device is loud or vibrates:

- Check whether the device is set up in a stable and upright position.

### Condensate is leaking:

- Check the device for leaks.

### The device gets very warm, is loud or is losing power:

- Check the air inlet and air filter for dirt. Remove external dirt.
- From the outside, check the device for dirt (see chapter Maintenance). If the inside of the device is dirty, have it cleaned by a specialist company for cooling and air-conditioning or by the manufacturer.

### The device still does not operate correctly after these checks:

Please contact the customer service. If necessary, bring the device to a specialist company for cooling and air-conditioning or to the manufacturer for repair.

## Maintenance

## Maintenance intervals

Maintenance and care interval	before every start-up	as needed	at least every 2 weeks	at least every 4 weeks	at least every 6 months	at least annually
Check air inlet and outlet for dirt and foreign objects and clean if necessary	X			X		
Clean the exterior		X				X
Visually check the inside of the device for dirt		X				X
Check the air filter for dirt and foreign objects and clean or replace if necessary	X		X			
Replace the air filter					X	
Check for damage	X					
Check the attachment screws		X				X
Test run						X
Empty and clean the condensation tank and/or drain hose		X				

## Maintenance and care log

Device type: .....

Device number: .....

Maintenance and care interval	1	2	3	4	5	6	7	8	9	10	11	12	13	14	15	16
Check air inlets and outlets for dirt and foreign objects and clean if necessary																
Check the air filter for dirt and foreign objects and clean or replace if necessary																
Clean the exterior																
Visually check the inside of the device for dirt																
Replace the air filter																
Check the attachment screws																
Test run																
Empty and clean the condensation tank and/or drain hose																
Comments																

1. Date: ..... Signature: .....	2. Date: ..... Signature: .....	3. Date: ..... Signature: .....	4. Date: ..... Signature: .....
5. Date: ..... Signature: .....	6. Date: ..... Signature: .....	7. Date: ..... Signature: .....	8. Date: ..... Signature: .....
9. Date: ..... Signature: .....	10. Date: ..... Signature: .....	11. Date: ..... Signature: .....	12. Date: ..... Signature: .....
13. Date: ..... Signature: .....	14. Date: ..... Signature: .....	15. Date: ..... Signature: .....	16. Date: ..... Signature: .....

## Activities required before starting maintenance



### Warning of electrical voltage

Do not touch the mains plug with wet or damp hands.

- Switch the device off.
- Hold onto the mains plug while pulling the power cable out of the mains socket.
- Allow the device to cool down completely.



### Warning of electrical voltage

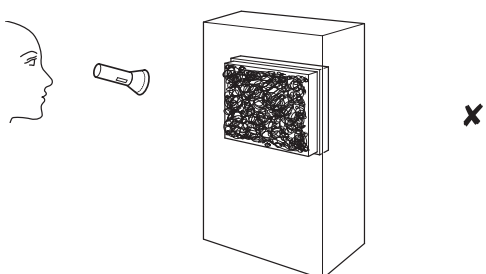
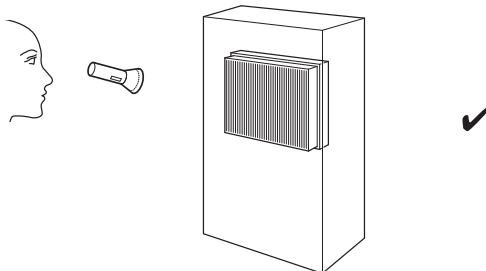
**Tasks which require the device to be opened must only be carried out by authorised specialist companies or by the manufacturer.**

## Cleaning the housing

Clean the housing with a soft, damp and lint-free cloth. Make sure that no moisture enters the housing. Protect electrical components from moisture. Do not use any aggressive cleaning agents such as cleaning sprays, solvents, alcohol-based or abrasive cleaners to dampen the cloth.

## Visual inspection of the inside of the device for dirt

1. Remove the air filter.
2. Use a torch to illuminate the openings of the device.
3. Check the inside of the device for dirt.
4. If you see a thick layer of dust, have the inside of the device cleaned by a specialist company for cooling and air-conditioning or by the manufacturer.
5. Put the air filter back in.



## Cleaning the air filter

### Notice

Ensure that the air filter is not worn or damaged. The corners and edges of the air filter must not be deformed or rounded. Before reinserting the air filter, make sure that it is undamaged and dry!

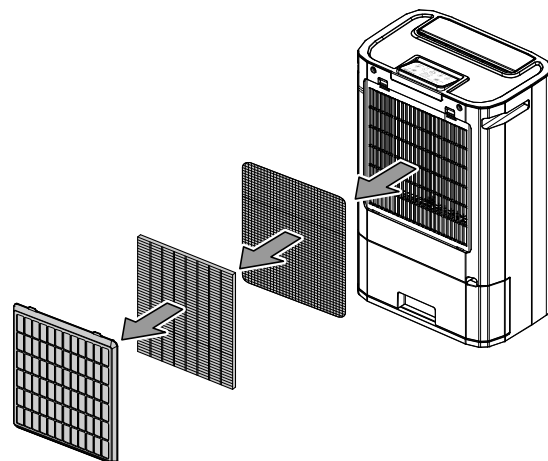
### Notice

Neither the activated carbon filter nor the HEPA filter (optional) can be cleaned. Both filters must be replaced if required.

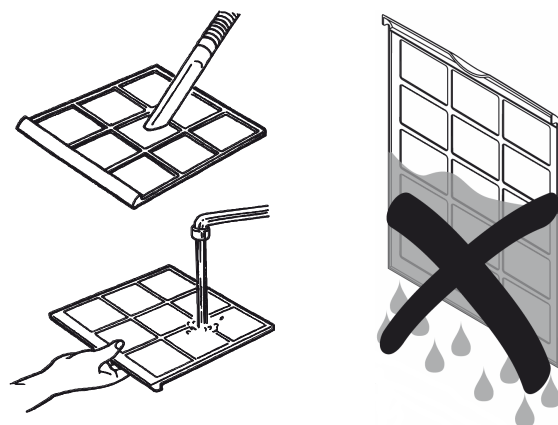
The air filter has to be cleaned as soon as it is dirty. This is brought to light e.g. by a reduced capacity (see chapter Errors and faults).

The lifetime of the activated carbon filter or HEPA filter depends on the ambient conditions and the application period of the device.

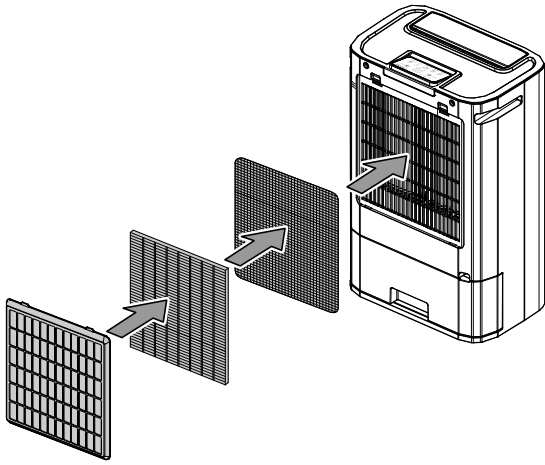
1. Remove the air filter from the device.



2. Clean the filter using a slightly damp, soft, lint-free cloth. If the filter is heavily contaminated, clean it with warm water mixed with a neutral cleaning agent.



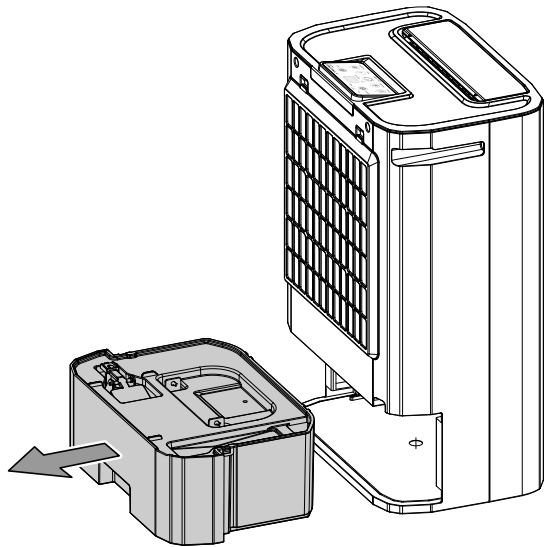
3. Allow the filter to dry completely. Do not insert a wet filter into the device!
4. Reinsert the air filter into the device.



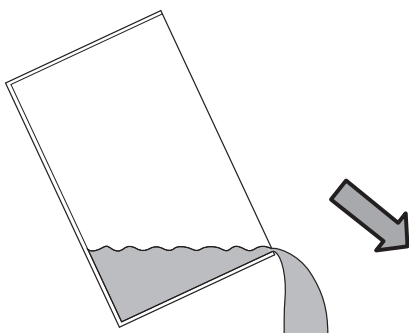
### Emptying the condensation tank

When the condensation tank (5) is full or not inserted correctly, the device stops dehumidification operation and switches itself off. The *Tank Full* LED (22) lights up and an acoustic signal is emitted.

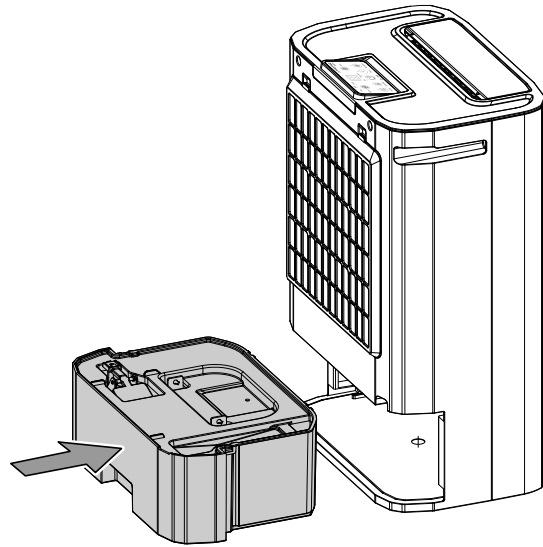
1. Take the condensation tank (5) out of the device.



2. Empty the condensation tank (5) over a drain or sink.



3. Rinse the condensation tank (5) with clear water. Regularly clean the condensation tank (5) using a mild cleaning agent (no dish detergent!).
4. Refit the condensation tank (5) into the device. Make sure not to damage the float when inserting or removing the condensation tank (5).
  - ⇒ In doing so, make sure that the float is positioned correctly.
  - ⇒ In doing so, make sure that the condensation tank (5) is inserted correctly, for otherwise the device cannot be switched back on.



### Activities required after maintenance

If you want to continue using the device:

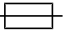
- Leave the device to rest for one hour before switching it back on. Otherwise the device could be damaged and no longer work properly. Any warranty claims will be voided in this case.
- Reconnect the device to the mains.

If you do not intend to use the device for a considerable time:

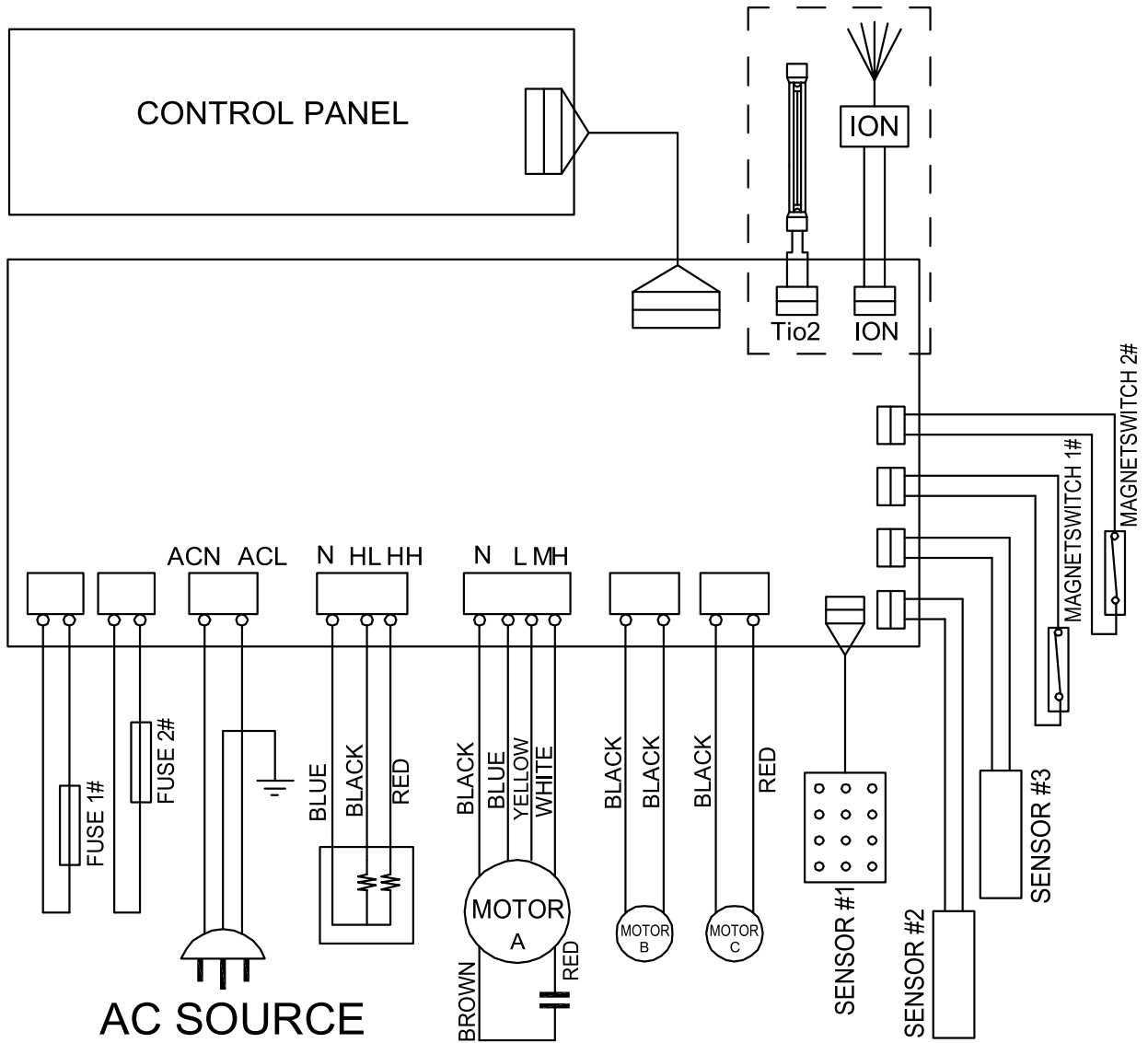
- Store the device according to the Transport and storage chapter.

## Technical annex

### Technical data

Parameter	Value
Model	TTR 57 E
Max. dehumidification performance	9 l / 24 h
Dehumidification performance @ 30 °C and 80 % RH	8.5 l
Air flow rate	185 m <sup>3</sup> /h
Operating range (temperature)	1 °C to 32 °C
Operating range (relative humidity)	35 % to 90 %
Mains connection	1/N/PE~ 220 – 240V / 50Hz
Max. power input	730 W
Heating capacity of heating element	650 W
Nominal current consumption	3.7 A
Fusing 	T/F 2 A / 250 V
Type of protection	IPX0
On-site fusing	10 A
Condensation tank capacity	5 l
Sound pressure level	47 dB(A)
Dimensions (length x width x height)	340 x 232 x 511 mm
Minimum distance to walls and other objects	A: top 60 cm B: rear 20 cm C: side 20 cm D: front 50 cm
Weight	7.5 kg

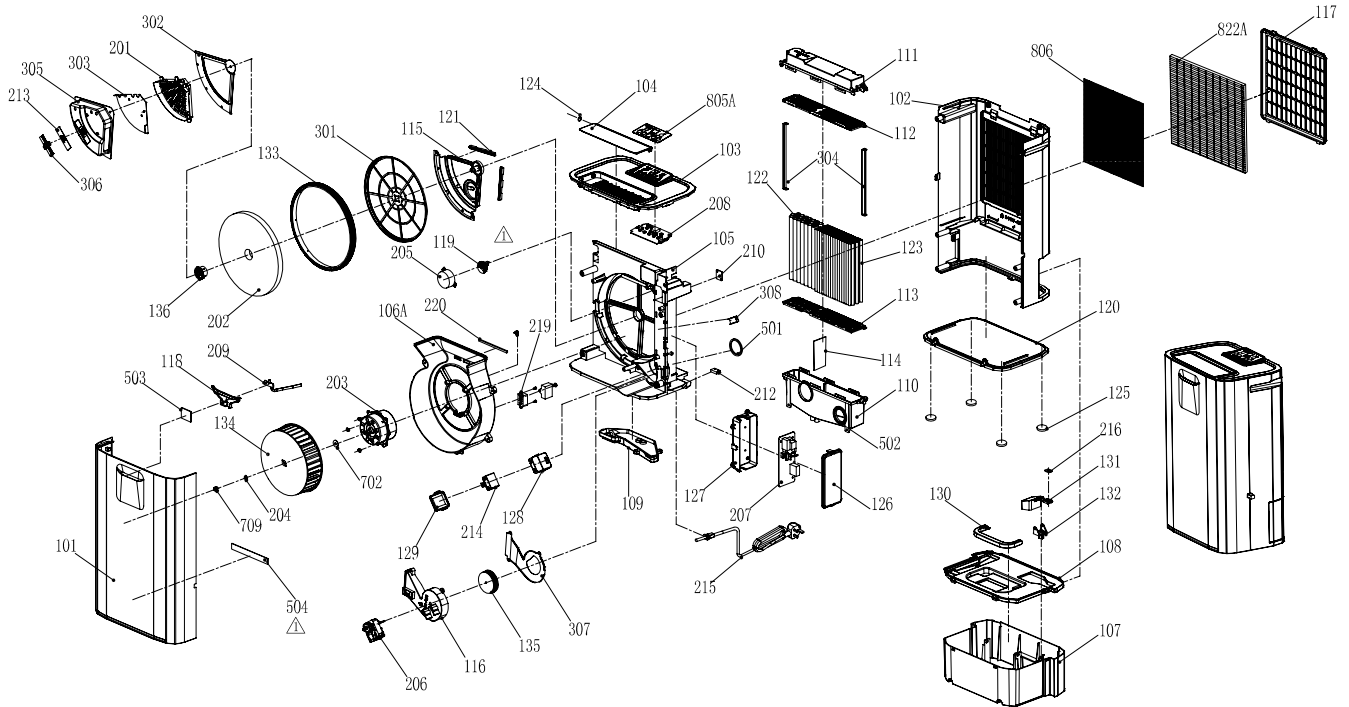
**Wiring diagram**





**Overview of spare parts**

**Note:** The position numbers of the spare parts differ from those describing the positions of the components mentioned in these instructions.



No.	Spare Part	No.	Spare Part	No.	Spare Part
<b>Plastic Parts</b>					
101	Front Plate	113	Fixer For Heat Exchanger (Down)	125	Footstand
102	Rear Plate	114	Seperating Sheet For Heat Exchanger	126	Electric Box (Top)
103	Top Plate	115	Heater Frame	127	Electric Box (Down)
104	Air Vent	116	Small Wind Funnel	128	Box For Motor Capacitor (Down)
105	Base For Dehumidifying Wheel	117	Filter Frame	129	Box For Motor Capacitor (Top)
106	Main Wind Tunnel	118	Light Indicator	130	Handle For Watertank
107	Water Tank	119	Gear (Small)	131	Float
108	Cover For Watertank	120	Bottom Base	132	Float Base
109	Water Tray	121	Silicon Blades	133	Gear (Big)
110	Top Cover For Heat Exchanger	122	Heat Exchanger (Big)/Set	134	Fan Blade (Big)
111	Bottom Cover For Heat Exchanger	123	Heat Exchanger (Small)/Set	135	Fan Blade (Small)
112	Fixer For Heat Exchanger (Up)	124	Ring Fixer	136	Fixer For Dehumidifying Wheel
<b>Electric Parts</b>					
201	Heater	206	Fan Motor (Small)	212	Magnetic Switch
202	Dehumidifying Wheel	207	Main P.C. Board	213	Mica Sheet For Heater Sensor
203	Fan Motor (Big)	208	Control PCB	214	Fan Motor Capacitor
204	Motor Gasket	209	PCB For Light Indicator	215	Power Cord
205	Synchronous Motor	210	Humidistat Sensor	216	Magnet
<b>Metal Parts</b>					
301	Frame For Dehumidifying Wheel	304	Frame For Heat Exchanger	307	Cover For S.Wind Funnel
302	Cover For Heater Box	305	Heater Box	308	Fixer For Dehumidifying Wheel
303	Heater Reflector 2	306	Heater Sensor Fixer		
<b>Foam Parts</b>					
501	Gasket (Big)	503	Foam For Light Block		
502	Gasket (Small)	504	Water Proof Foam For Front Plate		
<b>Screws</b>					
601	Screw Set				
<b>Wires</b>					
701	Wire Set				
<b>Packing Materials</b>					
801	Carton Box	806	Active Carbon Filter	810	Instruction Manual
803	Polyfoam - Up	807	PVC Bag For Unit	811	Circuit Diagram Sticker
804	Polyfoam - Down	808	PVC Bag For I/M		
805	Nameplate Sticker	809	Rating Label		

## Disposal

Always dispose of packing materials in an environmentally friendly manner and in accordance with the applicable local disposal regulations.



The icon with the crossed-out waste bin on waste electrical or electronic equipment is taken from Directive 2012/19/EU. It states that this device must not be disposed of with the household waste at the end of its life. You will find collection points for free return of waste electrical and electronic equipment in your vicinity. The addresses can be obtained from your municipality or local administration. You can also find out about other return options that apply for many EU countries on the website <https://hub.trotec.com/?id=45090>. Otherwise, please contact an official recycling centre for electronic and electrical equipment authorised for your country.

The separate collection of waste electrical and electronic equipment aims to enable the re-use, recycling and other forms of recovery of waste equipment as well as to prevent negative effects for the environment and human health caused by the disposal of hazardous substances potentially contained in the equipment.

### Only for United Kingdom

According to Waste Electrical and Electronic Equipment Regulations 2013 (SI 2013/3113) (as amended) devices that are no longer usable must be collected separately and disposed of in an environmentally friendly manner.

Trotec GmbH

Grebener Str. 7  
D-52525 Heinsberg

☎ +49 2452 962-400

☎ +49 2452 962-200

[info@trotec.com](mailto:info@trotec.com)

[www.trotec.com](http://www.trotec.com)