

# TFV 10 / TFV 20 / TFV 30

EN

INSTRUCTIONS  
TURBO FAN



**Table of contents**

**Information on the use of these instructions** ..... 2

**Safety** ..... 3

**Information about the device**..... 4

**Transport and storage**..... 6

**Assembly and start-up** ..... 7

**Operation** ..... 8

**Available accessories**..... 10

**Errors and faults** ..... 10

**Maintenance** ..... 10

**Technical annex**..... 11

**Disposal** ..... 11

You can download the current version of the instructions and the EU declaration of conformity via the following link:



TFV 10



<https://hub.trotec.com/?id=39960>

TFV 20



<https://hub.trotec.com/?id=41941>

TFV 30



<https://hub.trotec.com/?id=39961>

**Information on the use of these instructions**

**Symbols**



**Warning of electrical voltage**

This symbol indicates dangers to the life and health of persons due to electrical voltage.



**Warning**

This signal word indicates a hazard with an average risk level which, if not avoided, can result in serious injury or death.



**Caution**

This signal word indicates a hazard with a low risk level which, if not avoided, can result in minor or moderate injury.

**Notice**

This signal word indicates important information (e.g. material damage), but does not indicate hazards.



**Info**

Information marked with this symbol helps you to carry out your tasks quickly and safely.



**Follow the manual**

Information marked with this symbol indicates that the instructions must be observed.



**Wear hearing protection**

Information marked with this symbol indicates that you should wear hearing protection.

## Safety

**Read this manual carefully before starting or using the device. Always store the manual in the immediate vicinity of the device or its site of use.**



### Warning

**Read all safety warnings and all instructions.**

Failure to follow the warnings and instructions may result in electric shock, fire and/or serious injury.

**Save all warnings and instructions for future reference.**

This appliance can be used by children aged from 8 years and above and persons with reduced physical, sensory or mental capabilities or lack of experience and knowledge if they have been given supervision or instruction concerning use of the appliance in a safe way and understand the hazards involved.

Children shall not play with the appliance. Cleaning and user maintenance shall not be done by children without supervision.

- Do not use the device in potentially explosive rooms or areas and do not install it there.
- Do not use the device in an aggressive atmosphere.
- Place the device in an upright and stable position on horizontal and stable ground.
- Let the device dry out after a wet clean. Do not operate it when wet.
- Do not use the device with wet or damp hands.
- Do not expose the device to directly squirting water.
- Never insert any objects or limbs into the device.
- Do not cover the device during operation.
- Do not sit on the device.
- This appliance is not a toy. Keep away from children and animals.
- Check accessories and connection parts for possible damage prior to every use of the device. Do not use any defective devices or device parts.
- Ensure that all electric cables outside of the device are protected from damage (e.g. caused by animals). Never use the device if electric cables or the power connection are damaged!
- The mains connection must correspond to the specifications in the Technical annex.
- Insert the mains plug into a properly fused mains socket.
- Observe the technical data when selecting extensions to the power cable. Completely unroll the extension cable. Avoid electrical overload.
- Before carrying out maintenance, care or repair work on the device, remove the mains plug from the mains socket. Hold onto the mains plug while doing so.

- Switch the device off and disconnect the power cable from the mains socket when the device is not in use.
- Observe the storage and operating conditions (see Technical data).
- Make sure that the air inlet and outlet are not obstructed.
- Make sure that there are no loose items or dirt located in the immediate surroundings of air inlet and air outlet.

### Intended use

The devices TFV 10/ TFV 20 / TFV 30 may be used for generating a broad near-ground air current with a high air circulation. The air flow is used to accelerate the drying of flooring. The devices are also suitable to assist in drying walls and floors after water damage or else for construction drying.

Any use other than the intended use is regarded as misuse.

### Reasonably foreseeable misuse

The turbo fan is not suited for installation in fluids or on flooded or boggy grounds. Any unauthorised changes, modifications or alterations to the device are forbidden.

### Personal protective equipment



#### Wear hearing protection

Wear appropriate hearing protection when working with the device.

### Personnel qualification

People who use this device must:

- have read and understood the instructions, especially the Safety chapter.

## Residual risks



### Warning of electrical voltage

Work on the electrical components must only be carried out by an authorised specialist company!



### Warning of electrical voltage

Before any work on the device, remove the mains plug from the mains socket!  
Do not touch the mains plug with wet or damp hands.  
Hold onto the mains plug while pulling the power cable out of the mains socket.



### Warning

Dangers can occur at the device when it is used by untrained people in an unprofessional or improper way!  
Observe the personnel qualifications!



### Warning

The device is not a toy and does not belong in the hands of children.



### Warning

Risk of suffocation!  
Do not leave the packaging lying around. Children may use it as a dangerous toy.



### Caution

Risk of injury due to parts being whirled up by the strong air current.  
Before switching the device on, make sure that there are no loose parts (clothing, hair etc.) located near the air inlet or outlet!

### Notice

Do not use abrasive cleaners or solvents to clean the device.

## Behaviour in the event of an emergency

1. In an emergency, disconnect the device from the mains feed-in: Switch the device off and disconnect it from the mains.
2. Remove persons from the danger area.
3. Do not reconnect a defective device to the mains.

## Information about the device

### Device description

The devices TFV 10 / TFV 20 / TFV 30 were designed for a very high air flow rate. They may be used for drying carpets, buildings or screed as well as for the ventilation of poorly accessible intermediate spaces. Owing to the high air circulation, the devices can also be used to control excessive humidity levels. The fan is also very effective for the additional air circulation when heating large buildings, e.g. in the months of winter.

The TFV 20 / TFV 30 are further equipped with a service socket, which means that you can operate another device via the same socket. This socket is ready for operation for as long as the devices TFV 20 / TFV 30 are connected to the mains – they do not need to be switched on.

Moreover, you can connect optional hose distributors to the devices TFV 20 / TFV 30 in order to direct the air current towards different locations.

The cable of this devices TFV 10 / TFV 20 / TFV 30 can be wound around the cable holder at the carrying handle.

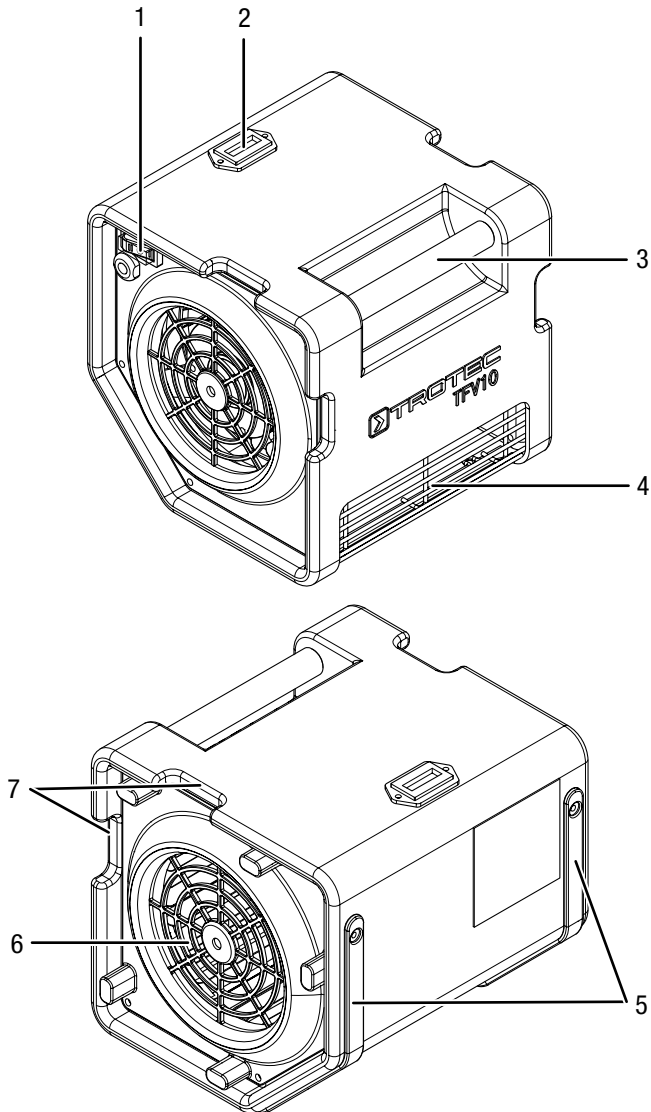
The devices TFV 10 / TFV 20 / TFV 30 are designed in a way that several devices can be safely stacked on top of one another for space-saving storage. Do not exceed the maximum of five stacked devices.

In addition to all conventional ventilation tasks these turbo fans are also suited particularly well for the quick elimination of moisture at the underbody after driving on wet roads.

The devices can be set up at different angles in order to reach difficult corners or otherwise inaccessible hollows: 0°, 45°, 90°.

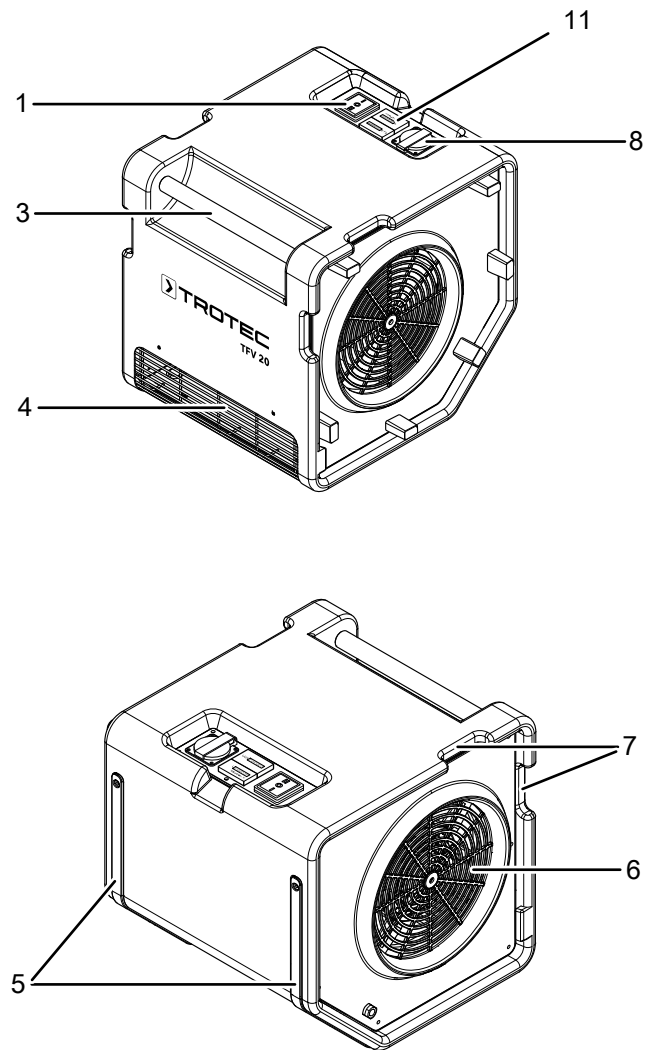
## Device depiction

### TFV 10



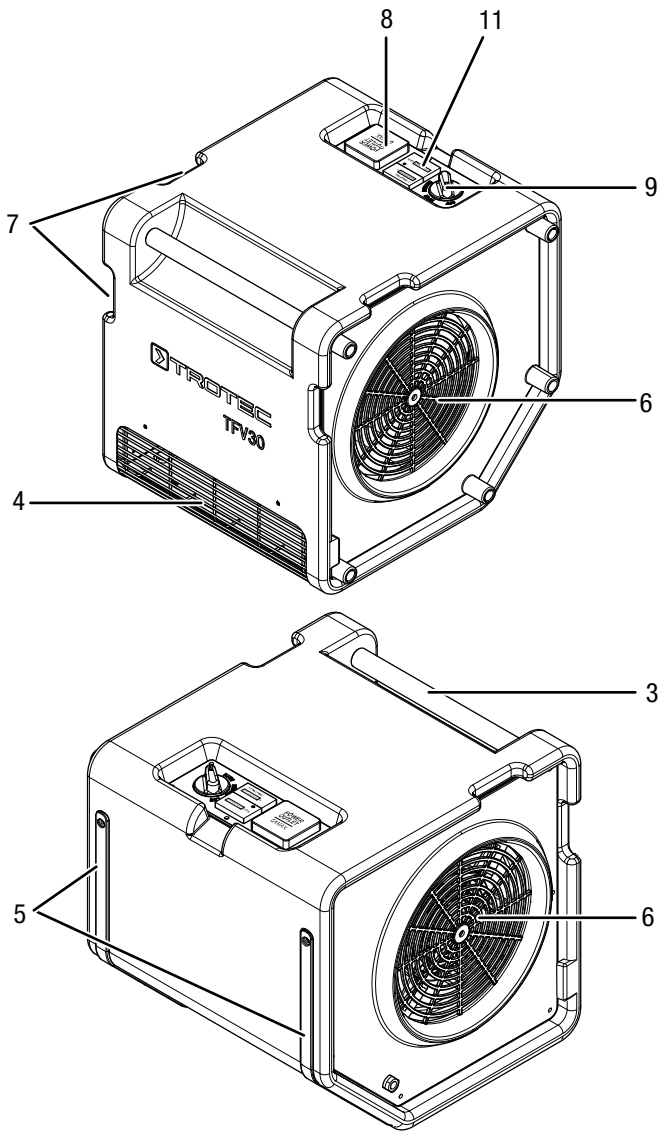
No.	Designation
1	Switch for fan stage selection
2	Operating hours counter
3	Transport handle
4	Air outlet
5	Skids
6	Air inlet
7	Cable holder

### TFV 20



No.	Designation
1	Switch for fan stage selection
3	Transport handle
4	Air outlet
5	Skids
6	Air inlet
7	Cable holder
8	Service power socket
11	Dual counter (operating and kilowatt hours)

**TFV 30**



No.	Designation
3	Transport handle
4	Air outlet
5	Skids
6	Air inlet
7	Cable holder
8	Service power socket
9	Rotary switch for fan stages
11	Dual counter (operating and kilowatt hours)

**Transport and storage**

**Notice**

If you store or transport the device improperly, the device may be damaged.  
Note the information regarding transport and storage of the device.

**Transport**

**Before** transporting the device, observe the following:

- Switch the device off.
- Hold onto the mains plug while pulling the power cable out of the mains socket.
- Do not use the power cable to drag the device.

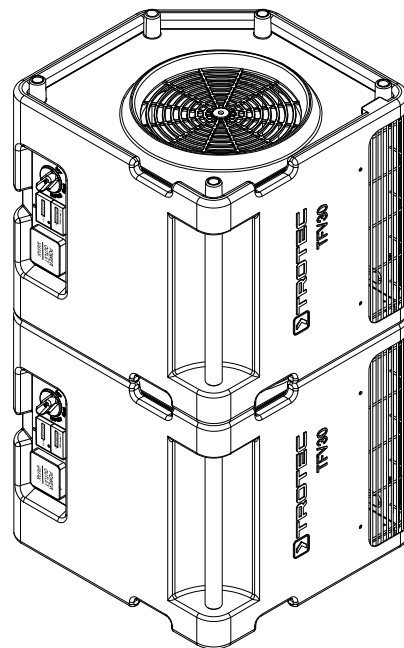
**After** transporting the device, proceed as follows:

- Set up the device in an upright position after transport.

**Storage**

When the device is not being used, observe the following storage conditions:

- Store the device in a dry location and protected from frost and heat.
- If required, use a cover to protect the device from invasive dust.
- Stackable: up to 5 devices may be stacked on top of one another.



**Info**

Do not take the devices into operation when stacked. Stacking rules out an efficient usage of the devices.



## Assembly and start-up

### Scope of delivery

- 1 x Device
- 1 x Manual

### Unpacking the device

1. Open the cardboard box and take the device out.
2. Completely remove the packaging.
3. Fully unwind the power cable. Make sure that the power cable is not damaged and that you do not damage it during unwinding.

### Assembly

#### Connecting the (optional) hose distributors

The devices TFV 20 / TFV 30 can be connected to optional hose distributors in order to direct the air current towards different locations.

The device TFV 20 can be used with an optional two-way hose distributor, and the device TFV 30 with an optional three-way hose distributor.



#### Info

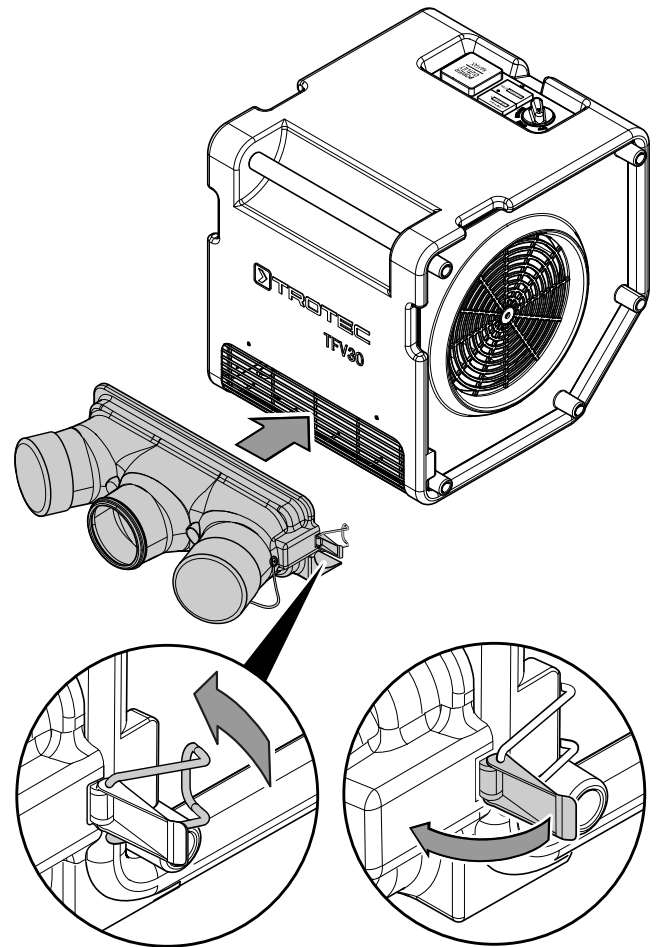
Seal off unused connections by means of suitable sealing caps and possibly with hose clamps to prevent a decrease in the air flow rate.



#### Info

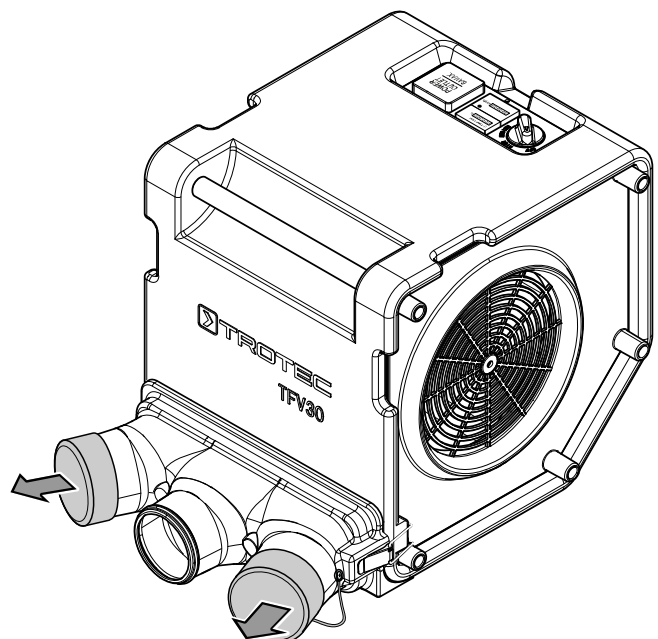
The procedure of fitting a hose distributor is described below using the example of a three-way hose distributor that is connected to the TFV 30; however, it applies accordingly to the TFV 20 and a two-way hose distributor.

4. Close both clamps of the three-way hose distributor.

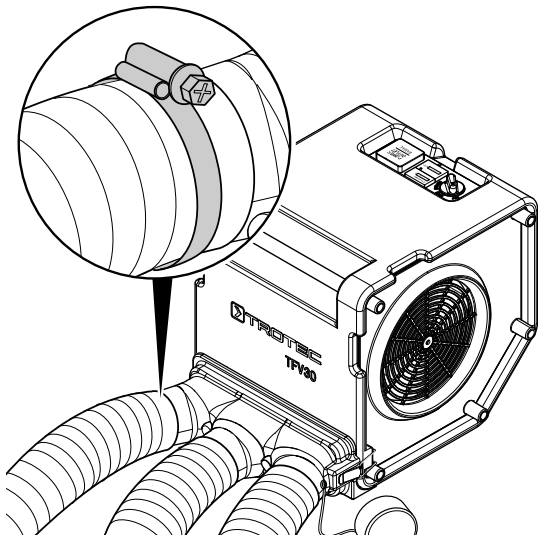
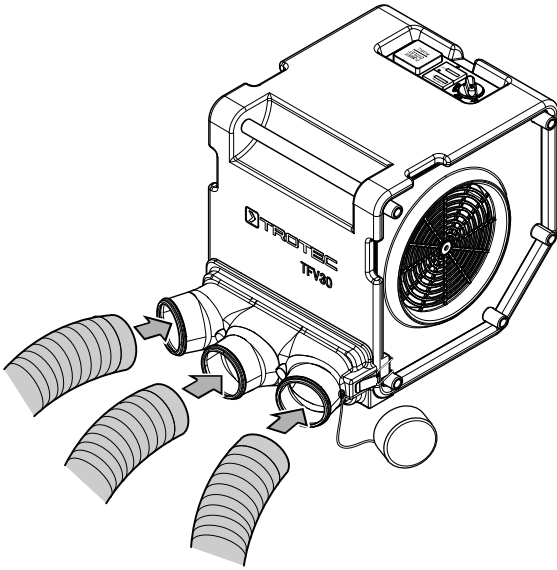


5. Check the clamps and the three-way hose distributor for tight fit.
6. If attached, remove the sealing caps from the three-way hose distributor.

1. Open the clamps of the three-way hose distributor.
2. Affix the three-way hose distributor at the designated locations at both ends of the air outlet.
3. Make sure that at the bottom the three-way hose distributor is positioned flush with the device.



7. Connect suitable hoses to the three-way hose distributor and affix them using an appropriate hose clamp.

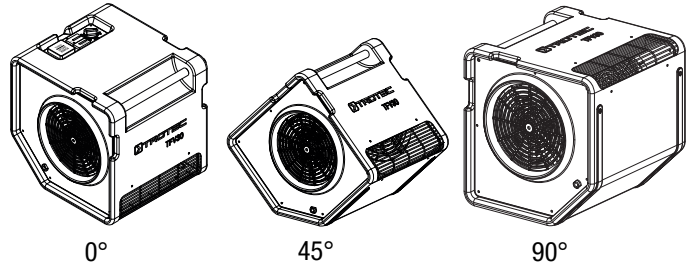


8. Check the hoses for tight fit.

**Start-up**

**Positioning**

- Set the device up separately and in a stable position.
- The device can be variably positioned in a way to allow an air discharge at an angle of 0°, 45° or 90°.



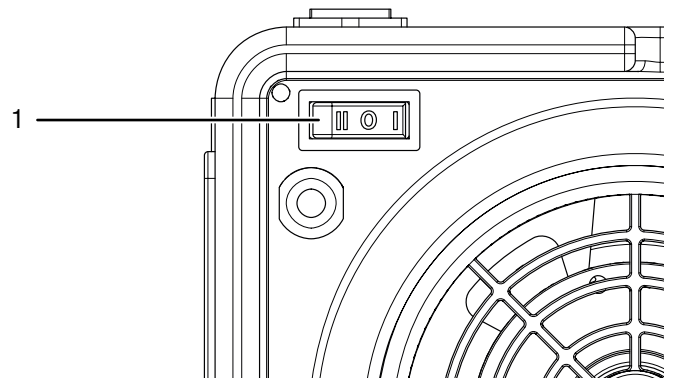
**Connecting the power cable**

- Insert the mains plug into a properly fused mains socket.

**Operation**

**Operating elements**

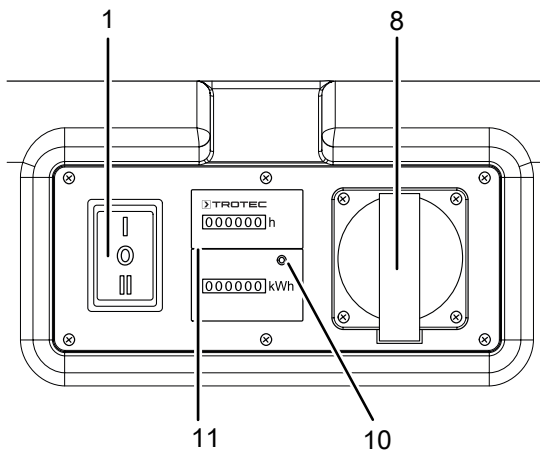
TFV 10



No.	Designation
1	Switch for fan stage selection

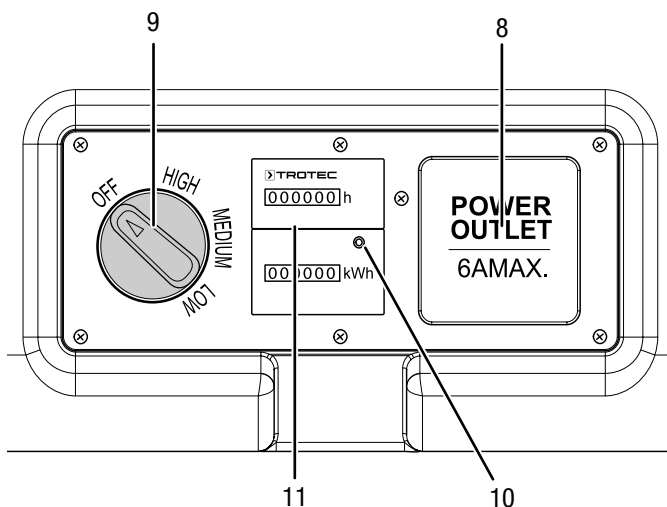


## TFV 20



No.	Designation
1	Switch for fan stage selection
8	Service socket
10	Electricity meter LED
11	Dual counter (operating hours counter and MID-certified kilowatt hours counter)

## TFV 30



No.	Designation
8	Service socket
9	Rotary switch for fan stages
10	Electricity meter LED
11	Dual counter (operating hours counter and MID-certified kilowatt hours counter)

## Switching the device on

Once you have completely installed the device as described in the chapter Assembly and start-up, you can switch it on.

### TFV 10

- Set the selection switch (1) to the desired fan stage.  
stage 1 = I  
stage 2 = II  
⇒ The device is switched on.

### TFV 20

- Set the selection switch (1) to the desired fan stage.  
stage 1 = I  
stage 2 = II  
⇒ The device is switched on.

### TFV 30

- Set the rotary switch (9) to the desired fan stage.  
stage 1 = LOW  
stage 2 = MEDIUM  
stage 3 = HIGH  
⇒ The device is switched on.

## Dual counter (TFV 20 and TFV 30)

The devices TFV 20 / TFV 30 are equipped with a dual counter (11). The operating hours are indicated in the upper section of the counter, the kilowatt hours are displayed just below. The kWh counter is certified according to MID. The LED (10) is illuminated as soon as a current flow is established.



### Info

The dual counter only records the operating and kilowatt hours of the fan. The consumption of the fan connected via the service socket is not recorded.

## Using the service socket

The TFV 20 / TFV 30 are equipped with a service socket, which means that you can operate another device via the same socket. The service socket is ready for operation as soon as the devices are connected to the mains – they do not need to be switched on.

## Shutdown



### Warning of electrical voltage

Do not touch the mains plug with wet or damp hands.

- Set the fan stage selection switch (1) to position **0** (centre) or else the rotary switch (9) to **OFF**.
- Hold onto the mains plug while pulling the power cable out of the mains socket.
- Clean the device according to the Maintenance chapter.
- Store the device according to the Transport and storage chapter.

## Available accessories

### TFV 20

Accessories	Article number
Hose adapter (two-way hose distributor, 2 x Ø 100 mm), incl. one sealing cap	6.100.005.055
Air hose Tronect TF-L, Ø 100 mm, length 6 m	6.100.001.115
Hose clamp 80 – 130 mm	6.100.009.079

### TFV 30

Accessories	Article number
Hose adapter (three-way hose distributor, 3 x Ø 100 mm), incl. two sealing caps	6.100.005.061
Air hose Tronect TF-L, Ø 100 mm, length 6 m	6.100.001.115
Hose clamp 80 – 130 mm	6.100.009.079

## Errors and faults

The device has been checked for proper functioning several times during production. If malfunctions occur nonetheless, check the device according to the following list.

### Notice

Wait for at least 3 minutes after maintenance and repair work. Only then switch the device back on.

### The device does not start:

- Check the power connection.
- Check the power cable and mains plug for damage.
- Check the on-site fusing.

### The fan is not running:

- Check whether the device is switched on.
- Check the power connection.
- Check the power cable and mains plug for damages.
- Check the on-site fusing.
- Wait for 10 minutes before restarting the device. If the device is not starting, have the electrics checked by a specialist company or by Trotec.

### The fan operates only for a brief period, then switches off:

- Check whether the protective grid at the air inlet is obstructed in some way. If applicable, remove foreign objects.
- The motor bearing might be damaged. Please contact the customer service.

## The device still does not operate correctly after these checks:

Please contact the customer service. If necessary, bring the device to an authorised specialist electrical company or to the manufacturer for repair.

## Maintenance

### Activities required before starting maintenance



#### Warning of electrical voltage

Do not touch the mains plug with wet or damp hands.

- Switch the device off.
- Hold onto the mains plug while pulling the power cable out of the mains socket.

### Cleaning the housing

Clean the housing with a soft, damp and lint-free cloth. Make sure that no moisture enters the housing. Protect electrical components from moisture. Do not use any aggressive cleaning agents such as cleaning sprays, solvents, alcohol-based or abrasive cleaners to dampen the cloth.

### Cleaning the fan and device interior



#### Warning

Risk of injury caused by ejected compressed air upon activation of the compressed air supply.

Hold the compressed-air hose away from your body.

Pointing the compressed-air hose at another person is prohibited.

- Check fan and protective grid for perfect condition before and after each application.
- Clean the fan after each operation.
- Use compressed air to remove particles, lint, dust and dirt from motor, fan wheel and protective grid. Do not in any event use a high-pressure cleaner to clean the fan.
- Other than that, the device does not require maintenance.

## Technical annex

## Technical data

Parameter	Value		
	TFV 10	TFV 20	TFV 30
<b>Model</b>			
Air flow rate			
Stage 1	310 m <sup>3</sup> /h	850 m <sup>3</sup> /h	1,600 m <sup>3</sup> /h
Stage 2	380 m <sup>3</sup> /h	1,185 m <sup>3</sup> /h	1,850 m <sup>3</sup> /h
Stage 3	-	-	2,200 m <sup>3</sup> /h
Air discharge speed max.	8.6 m/s	7.8 m/s	14.5 m/s
Stat. air pressure (freely blowing)	max. 150 Pa	max. 390 Pa	max. 425 Pa
Max. transport medium temperature	60 °C	60 °C	60 °C
Power supply	1/N/PE ~ 230 V / 50 Hz	1/N/PE ~ 230 V / 50 Hz	1/N/PE ~ 230 V / 50 Hz
Nominal current consumption	0.5 A	2.15 A	3.8 A
Max. power consumption	0.09 kW	0.49 kW	0.85 kW
Type of protection	IP22	IP22	IP22
Sound level (distance 3 m)			
Stage 1	61.5 dB(A)	64 dB(A)	73.5 dB(A)
Stage 2	68.5 dB(A)	69 dB(A)	80.8 dB(A)
Stage 3	-	-	86.2 dB(A)
Dimensions (L x W x H)	235 x 247 x 237 (mm)	343 x 335 x 355 (mm)	442 x 426 x 429 (mm)
Weight	4.5 kg	12 kg	19 kg

## Disposal

Always dispose of packing materials in an environmentally friendly manner and in accordance with the applicable local disposal regulations.



The icon with the crossed-out waste bin on waste electrical or electronic equipment is taken from Directive 2012/19/EU. It states that this device must not be disposed of with the household waste at the end of its life. You will find collection points for free return of waste electrical and electronic equipment in your vicinity. The addresses can be obtained from your municipality or local administration. You can also find out about other return options that apply for many EU countries on the website <https://hub.trotec.com/?id=45090>. Otherwise, please contact an official recycling centre for electronic and electrical equipment authorised for your country.

The separate collection of waste electrical and electronic equipment aims to enable the re-use, recycling and other forms of recovery of waste equipment as well as to prevent negative effects for the environment and human health caused by the disposal of hazardous substances potentially contained in the equipment.

## Only for United Kingdom

According to Waste Electrical and Electronic Equipment Regulations 2013 (SI 2013/3113) (as amended) devices that are no longer usable must be collected separately and disposed of in an environmentally friendly manner.

Trotec GmbH

Grebener Str. 7  
D-52525 Heinsberg

☎ +49 2452 962-400

☎ +49 2452 962-200

✉ [info@trotec.com](mailto:info@trotec.com)

[www.trotec.com](http://www.trotec.com)