

**PRDS 10-20V**

**EN**

**ORIGINAL INSTRUCTIONS**  
CORDLESS ROTARY HAMMER



 **TROTEC**

**Table of contents**

**Notes regarding the instructions** ..... 2

**Safety** ..... 3

**Information about the device** ..... 8

**Transport and storage** ..... 10

**Start-up** ..... 10

**Operation** ..... 13

**Available accessories** ..... 15

**Errors and faults** ..... 15

**Maintenance** ..... 16


**Disposal** ..... 17


**Declaration of conformity** ..... 18


**Notes regarding the instructions**


**Symbols**

 **Warning of electrical voltage**  
This symbol indicates dangers to the life and health of persons due to electrical voltage.


 **Warning of explosive substances**  
This symbol indicates dangers to the life and health of persons due to potentially explosive substances.


 **Warning of hot surface**  
This symbol indicates dangers to the life and health of persons due to hot surface.


 **Warning**  
This signal word indicates a hazard with an average risk level which, if not avoided, can result in serious injury or death.


 **Caution**  
This signal word indicates a hazard with a low risk level which, if not avoided, can result in minor or moderate injury.


**Note**  
This signal word indicates important information (e.g. material damage), but does not indicate hazards.


 **Info**  
Information marked with this symbol helps you to carry out your tasks quickly and safely.

 **Follow the manual**  
Information marked with this symbol indicates that the instructions must be observed.


 **Wear head protection**  
Information marked with this symbol indicates that you should wear protective headgear.

 **Wear hearing protection**  
Information marked with this symbol indicates that you should wear hearing protection.

 **Wear safety glasses**  
Information marked with this symbol indicates that you should wear eye protection.

 **Wear a protective mask**  
Information marked with this symbol indicates that you should wear a protective mask.

 **Wear protective gloves**  
Information marked with this symbol indicates that you should wear protective gloves.

 **Wear foot protection**  
Information marked with this symbol indicates that you should wear safety boots.

You can download the current version of these instructions via the following link:



PRDS 10-20V



<https://hub.trotec.com/?id=41418>

## Safety

### General Power Tool Safety Warnings



#### Warning

**Read all safety warnings, instructions, illustrations and specifications provided with this power tool.**

Failure to follow all instructions listed below may result in electric shock, fire and/or serious injury.

**Save all warnings and instructions for future reference.**

The term *power tool* in the warnings refers to your mains-operated (corded) power tool or battery-operated (cordless) power tool.



#### General Power Tool Safety Warnings – Work area safety

- **Keep work area clean and well lit.** Clutter or dark areas invite accidents.
- **Do not operate power tools in explosive atmosphere, such as in the presence of flammable liquids, gases or dust.** Power tools create sparks which may ignite the dust or fumes.
- **Keep children and bystanders away while operating a power tool.** Distractions can cause you to lose control.



#### General Power Tool Safety Warnings – Electrical safety

- **Power tool plugs must match the outlet. Never modify the plug in any way. Do not use any adapter plugs with earthed (grounded) power tools.** Unmodified plugs and matching outlets will reduce risk of electric shock.
- **Avoid body contact with earthed or grounded surfaces, such as pipes, radiators, ranges and refrigerators.** There is an increased risk of electric shock if your body is earthed or grounded.
- **Do not expose power tools to rain or wet conditions.** Water entering a power tool will increase the risk of electric shock.
- **Do not abuse the cord. Never use the cord for carrying, pulling or unplugging the power tool. Keep cord away from heat, oil, sharp edges or moving parts.** Damaged or entangled cords increase the risk of electric shock.
- **When operating a power tool outdoors, use an extension cord suitable for outdoor use.** Use of a cord suitable for outdoor use reduces the risk of electric shock.
- **If operating a power tool in a damp location is unavoidable, use a residual current device (RCD) protected supply.** Use of an RCD reduces the risk of electric shock.



#### General Power Tool Safety Warnings – Personal safety

- **Stay alert, watch what you are doing and use common sense when operating a power tool. Do not use a power tool while you are tired or under the influence of drugs, alcohol or medication.** A moment of inattention while operating power tools may result in serious personal injury.
- **Use personal protective equipment. Always wear eye protection.** Protective equipment such as a dust mask, non-skid safety shoes, hard hat or hearing protection used for appropriate conditions will reduce personal injuries.
- **Prevent unintentional starting. Ensure the switch is in the off-position before connecting to power source and/or battery pack, picking up or carrying the tool.** Carrying power tools with your finger on the switch or energising power tools that have the switch on invites accidents.
- **Remove any adjusting key or wrench before turning the power tool on.** A wrench or a key left attached to a rotating part of the power tool may result in personal injury.
- **Do not overreach. Keep proper footing and balance at all times.** This enables better control of the power tool in unexpected situations.
- **Dress properly. Do not wear loose clothing or jewellery. Keep your hair and clothing away from moving parts.** Loose clothes, jewellery or long hair can be caught in moving parts.
- **If devices are provided for the connection of dust extraction and collection facilities, ensure these are connected and properly used.** Use of dust collection can reduce dust-related hazards.
- **Do not let familiarity gained from frequent use of tools allow you to become complacent and ignore tool safety principles.** A careless action can cause severe injury within a fraction of a second.



### General Power Tool Safety Warnings – Power tool use and care

- **Do not force the power tool. Use the correct power tool for your application.** The correct power tool will do the job better and safer at the rate for which it was designed.
- **Do not use the power tool if the switch does not turn it on and off.** Any power tool that cannot be controlled with the switch is dangerous and must be repaired.
- **Disconnect the plug from the power source and/or remove the battery pack, if detachable, from the power tool before making any adjustments, changing accessories, or storing power tools.** Such preventive safety measures reduce the risk of starting the power tool accidentally.
- **Store idle power tools out of the reach of children and do not allow persons unfamiliar with the power tool or these instructions to operate the power tool.** Power tools are dangerous in the hands of untrained users.
- **Maintain power tools and accessories. Check for misalignment or binding of moving parts, breakage of parts and any other condition that may affect the power tool's operation. If damaged, have the power tool repaired before use.** Many accidents are caused by poorly maintained power tools.
- **Keep cutting tools sharp and clean.** Properly maintained cutting tools with sharp cutting edges are less likely to bind and are easier to control.
- **Use the power tool, accessories and tool bits etc. in accordance with these instructions, taking into account the working conditions and the work to be performed.** Use of the power tool for operations different from those intended could result in a hazardous situation.
- **Keep handles and grasping surfaces dry, clean and free from oil and grease.** Slippery handles and grasping surfaces do not allow for safe handling and control of the tool in unexpected situations.



### General Power Tool Safety Warnings – Battery tool use and care

- **Recharge only with charger specified by the manufacturer.** A charger that is suitable for one type of battery pack may create a risk of fire when used with another battery pack.
- **Use power tools only with specifically designed battery packs.** Use of any other battery packs may create a risk of injury and fire.

- **When battery pack is not in use, keep it away from other metal objects, like paper clips, coins, keys, nails, screws or other small metal objects, that can make a connection from one terminal to another.** Shorting the battery terminals together may cause burns or a fire.
- **Under abusive conditions, liquid may be ejected from the battery; avoid contact. If contact accidentally occurs, flush with water. If liquid contacts eyes, additionally seek medical help.** Liquid ejected from the battery may cause irritation or burns.
- **Do not use a battery pack or tool that is damaged or modified.** Damaged or modified batteries may exhibit unpredictable behaviour resulting in fire, explosion or risk of injury.
- **Do not expose a battery pack or tool to fire or excessive temperature.** Exposure to fire or temperature above 130 °C may cause explosion.
- **Follow all charging instructions and do not charge the battery pack or tool outside the temperature range specified in the instructions.** Charging improperly or at temperatures outside the specified range may damage the battery and increase the risk of fire.



### General Power Tool Safety Warnings – Service

- **Have your power tool serviced by a qualified repair person using only identical replacement parts.** This will ensure that the safety of the power tool is maintained.
- **Never service damaged battery pack.** Service of battery packs should only be performed by the manufacturer or authorized service providers.



### General Power Tool Safety Warnings – Charger use and care

- **This charger can be used by children aged from 8 years and above and persons with reduced physical, sensory or mental capabilities or lack of experience and knowledge if they have been given supervision or instruction concerning use of the appliance in a safe way and understand the hazards involved. Children shall not play with the appliance.** Cleaning and user maintenance shall not be made by children without supervision.
- **Never insert non-rechargeable batteries into the charger.** A charger that is suitable for one type of battery pack may create a risk of fire and explosion, when used with another battery pack or non-rechargeable batteries.
- **Only charge the Li-Ion battery "Multiflex 20 – 2.0 DC" (capacity of 2.0 Ah = 5 battery cells) with the charger "Multiflex 20 – 2.0 AC".** The battery voltage must match the battery charging voltage of the charger.



### Device-specific safety warnings for rotary hammers



Wear eye and mouth protection when processing materials that may contain harmful substances (e.g. asbestos).



**Wear ear protectors when impact drilling.** Exposure to noise can cause hearing loss.

- **Use the auxiliary handle(s).** Loss of control can cause personal injury.
- **Hold the power tool by insulated gripping surfaces, when performing an operation where the cutting accessory or fasteners may contact hidden wiring.** Cutting accessory contacting a "live" wire may make exposed metal parts of the power tool "live" and could give the operator an electric shock.
- **Use appropriate detection equipment to track down concealed supply lines or consult the local utility companies.** Contact with electrical lines may result in fire and electric shock. Damaging a gas line may lead to an explosion. Penetrating a water line causes property damage and may cause an electric shock.
- **Vibrations can be harmful to the human hand-arm system.** Keep the vibration exposure time to a minimum.
- **During operation hold onto the power tool with both hands.** Make sure that you stand firmly on the ground. It is safer to handle the power tool with two hands.
- **Secure the workpiece.** The grip of tensioning devices or a vice is more secure than holding the workpiece only by hand.



**Protect yourself and others present from injuries caused by splintering and flying bits and pieces.**



Wear a hard hat, eye protection, a dust mask and safety boots. If necessary, put up partition panels as shield against breaking off debris.



- **Before starting to work, always make sure that the insertion tool is firmly clamped inside the drill chuck.** Insertion tools that are not locked in place could be catapulted out of the power tool upon switch-on and lead to injuries.

- **Before switching on the power tool, ensure that the insertion tool can move freely.** If the device is switched on with a jammed insertion tool, the resulting forces can be extreme causing the device to kick out sideways.
- **Immediately switch off the power tool if the insertion tool blocks.** The power tool can lash out to the side owing to the forces that build up consequently.
- **Regularly check the drill chuck for wear or damage.**
- **Only start a percussive power tool while holding it against a workpiece (wall, ceiling, etc.).**
- **Wait until the power tool has come to a standstill, before putting it down.**
- **For any work on the device, as well as during transport or storage, set the switch for the rotational direction to centre position (locked).** This prevents unintentional starting of the power tool.
- **Processing metal creates flying sparks.** Make sure that nobody's safety is jeopardized and that there are no combustible materials near the working area. Fire hazard!
- **Avoid drilling in lead paint or other harmful materials.**
- **Always keep the power cable behind the device.**
- **Make sure that the venting slots are not covered during operation.** Do not insert any objects into the venting slots.
- **The device must always be clean, dry and free from oil or greases.**



### Safety instructions when using long drill bits

- **Never operate at higher speed than the maximum speed rating of the drill bit.** At higher speeds, the bit is likely to bend if allowed to rotate freely without contacting the workpiece, resulting in personal injury.
- **Always start drilling at low speed and with the bit tip in contact with the workpiece.** At higher speeds, the bit is likely to bend if allowed to rotate freely without contacting the workpiece, resulting in personal injury.
- **Apply pressure only in direct line with the bit and do not apply excessive pressure.** Bits can bend causing breakage or loss of control, resulting in personal injury.

**Intended use**

Only use the device PRDS 10-20V:

- for screwing in and loosening screws,
- for drilling in wood, plastic, ceramic and metal,
- for hammer drilling in brick, concrete and rock

whilst adhering to the technical data.

We recommend using the power tool with original Trotec accessories.

**Foreseeable misuse**

The device is not intended for drilling in natural stone.

Any other use than the one described in the chapter "Intended use" is regarded as reasonably foreseeable misuse.

**Personnel qualifications**

People who use this device must:

- have read and understood the instructions, especially the Safety chapter.

**Safety signs and labels on the battery and the charger**

**Note**

Do not remove any safety signs, stickers or labels from the device. Keep all safety signs, stickers and labels in legible condition.

The following safety signs and labels are attached to the battery:



**Warning of explosion risk!**

These symbols indicate the following:



Do not expose the battery pack or tool to fire or excessive temperature! Do not let the battery come into contact with water or fire! Avoid direct sunlight and moisture. There is a risk of explosion!

Never charge the battery at ambient temperatures below 10 °C or above 40 °C. Charging improperly or at temperatures outside the specified range may damage the battery and increase the risk of fire.



**Observe the correct disposal of the battery!**

This symbol indicates the following:

Ensure that the battery is disposed of correctly and never dispose of it in waste water or public waters. The battery contains irritating, caustic and toxic substances that pose significant risks to people and the environment.

The following safety signs and labels are attached to the charger:



This symbol indicates the following:  
Read the instructions or operating manual before charging the battery.



This symbol indicates the following:  
Only use the charger for charging the battery in dry interior spaces. Do not charge the device outdoors.

**Personal protective equipment**



**Wear protective headgear.**

With it you protect your head from splintering, falling and flying pieces which could cause injuries.



**Wear hearing protection.**

Excessive noise can lead to hearing loss.



**Wear eye protection.**

With it you protect your eyes from splintering, falling and flying pieces which could cause injuries.



**Wear a protective mask.**

It saves you from inhaling harmful dusts generated when processing workpieces.



**Wear protective gloves.**

They protect your hands from burns, crushing injuries and skin abrasions.



**Wear tight-fitting protective clothing.**

This protects you from the draw-in and entanglement hazard posed by rotating parts.



**Wear safety boots.**

They protect your feet from splintering, falling and flying pieces which could cause injuries.

**Residual risks**



**Warning of electrical voltage**

Electric shock due to insufficient insulation!  
Check the device for damages and proper functioning before each use.


















If you detect damages, do not use the device any longer.

Do not use the device when either the device or your hands are damp or wet!



**Warning of electrical voltage**

Work on the electrical components must only be carried out by an authorised specialist company!

-  **Warning of electrical voltage**  
Before any work on the device, remove the mains plug from the mains socket and the battery from the device! Do not touch the mains plug with wet or damp hands. Hold onto the mains plug while pulling the power cable out of the mains socket.
-  **Warning of electrical voltage**  
There is a risk of a short-circuit due to liquids penetrating the housing!  
Do not immerse the device and the accessories in water. Make sure that no water or other liquids can enter the housing.
-  **Warning of explosive substances**  
Do not expose the battery to temperatures above 45 °C! Do not let the battery come into contact with water or fire! Avoid direct sunlight and moisture. There is a risk of explosion!
-  **Warning of hot surface**  
 The insertion tool might still be hot after the application. Burn hazard when touching the insertion tool.  
Do not touch the insertion tool bare-handed!  
Wear protective gloves!
-  **Warning**  
Toxic dusts!  
  The harmful / toxic dusts produced during operation pose of risk to the health of the operator and persons in the vicinity.  
Wear eye protection and a dust mask!
-  **Warning**  
Do not process materials containing asbestos. Asbestos is considered carcinogenic.
-  **Warning**  
Make sure not to hit power, gas or water lines when working with a power tool.  
If necessary, use a pipe detector to check the wall you want to drill in or slit open.
-  **Warning**  
Risk of injuries caused by flying parts or bursting tool heads.
-  **Warning**  
Dangers can occur at the device when it is used by untrained people in an unprofessional or improper way! Observe the personnel qualifications!
-  **Warning**  
The device is not a toy and does not belong in the hands of children.
-  **Warning**  
Risk of suffocation!  
Do not leave the packaging lying around. Children may use it as a dangerous toy.
-  **Warning**  
The tool holder must be firmly locked in place before switching the device on, for an insufficiently or incorrectly clamped accessory could be catapulted out of the tool holder uncontrollably upon switch-on.
-  **Caution**  
Vibration emissions can cause a health hazard if the device is used for an extended period of time or if it is not properly handled and maintained.
-  **Caution**  
Keep a sufficient distance from heat sources.
- Note**  
If you store or transport the device improperly, the device may be damaged.  
Note the information regarding transport and storage of the device.
- Note**  
Only change the rotational direction when the device is at a standstill! Otherwise the device might be damaged.
- Note**  
Only actuate the function selector switch when the device is at a standstill! Otherwise the device might be damaged.
- Behaviour in the event of an emergency / emergency stop function**  
Emergency stop:  
Removing the battery results in the function of the device stopping immediately. Leave the battery out in order to secure the device against accidental switch-on.  
Behaviour in the event of an emergency:  
1. Switch the device off.  
2. In the event of an emergency, remove the battery from the device: Hold the release button of the battery and pull the battery off the device as described in chapter "Removing the battery".  
3. Do not insert the battery if the device is defective.

**Information about the device**

**Device description**

The cordless rotary hammer PRDS 10-20V comes equipped with a hammer mechanism for high impact power and is suitable for mobile use.

The infinitely variable impact rate and speed control allows you to optimally adjust the exertion of force to every application and material.

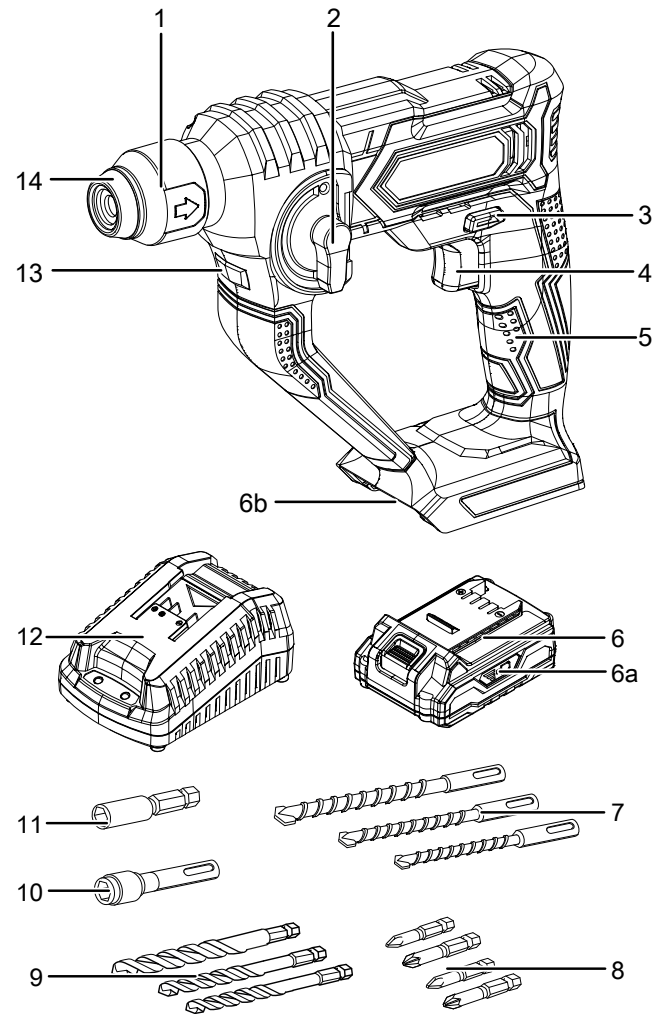
The SDS-plus system tool holder makes it possible to exchange the insertion tools easily and without the need for further tools. An optionally installable SDS bit adapter allows the use of standard accessories.

The device comes with a drilling setting and a hammer drilling setting. A function selector switch permits the simple switch-over between functions.

The integrated LED work lamp offers an improved illumination of the workpiece or working surface.

The battery comes with its own battery level indication. As a result you can check the current charging status without having to connect it to the device.

**Device depiction**




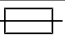
No.	Designation
1	SDS-plus system tool holder
2	Function selector switch
3	Clockwise/counter-clockwise rotation switch, lock
4	On/off switch
5	Handle
6	Battery
6a	Battery level indication
6b	Battery holder
7	SDS drill bit
8	Bits
9	HSS drill bit
10	SDS bit adapter
11	Extension with magnetic bit holder
12	Quick charger
13	LED work light
14	Dust protection cap




## Scope of delivery

- 1 x Cordless rotary hammer PRDS 10-20V
- 1 x Rechargeable battery
- 1 x Quick charger
- 3 x SDS drill bits (150 mm, Ø 6/8/10 mm)
- 3 x HSS drill bits Ø 5/6/8 mm with hexagon retainer
- 4 x 50 mm bits for S2 material (5.5/PH1/PZ1/PZ2)
- 1 x SDS bit adapter
- 1 x Extension with magnetic bit holder
- 1 x Transport case
- 1 x manual

## Technical data

Parameter	Value
<b>Model</b>	<b>PRDS 10-20V</b>
Nominal voltage	20 V $\equiv$
Idle speed	0 – 900 rpm
Impact frequency	0 – 5000 rpm
Impact energy	1 J
Max. drilling diameter	
Wood	16 mm
Metal	8 mm
Concrete	10 mm
Protection class	III / 
Weight	1.5 kg
<b>Battery</b>	<b>Multiflex 20 – 2.0 DC</b>
Type	Li-ion
Nominal voltage	20 V $\equiv$
Nominal capacity	2 Ah
Rechargeable cells	5
Capacity	40 Wh
<b>Quick charger</b>	<b>Multiflex 20 – 2.0 AC</b>
Input	
Nominal voltage	230 – 240 V / 50 Hz
Power consumption	65 W
Output	
Nominal voltage	21.5 V $\equiv$
Charging current	2.4 A
Fusing 	3.15 A (slow-blowing)

Parameter	Value
Charging time	1 h
Protection class	II (double insulation) / 
<b>Vibration information according to EN 62841</b>	
Total vibration emission value:	
Handle	
Vibration emission value $a_{h(HD)}$	6.314 m/s <sup>2</sup>
Uncertainty K	1.5 m/s <sup>2</sup>
Additional handle	
Vibration emission value $a_{h(HD)}$	4.580 m/s <sup>2</sup>
Uncertainty K	1.5 m/s <sup>2</sup>
<b>Sound values according to EN 62841</b>	
Sound pressure level $L_{pA}$	82.38 dB(A)
Sound power level $L_{WA}$	93.38 dB(A)
Uncertainty K	3 dB(A)



### Wear hearing protection.

Excessive noise can lead to hearing loss.

### Information on noise and vibration:

- The specified total vibration **and noise emission values** were measured by means of a test procedure standardized in EN 62841 and can be consulted for the comparison of one power tool with another.
- The specified total vibration **and noise emission values** can also be used for preliminary load assessment.



### Caution

Vibration emissions can cause a health hazard if the device is used for an extended period of time or if it is not properly handled and maintained.

- The actual vibration **and noise emission** may differ from the stated values during operation of the power tool. This depends on how the power tool is used and especially on the type of workpiece being processed. Try to keep the vibration load to a minimum. Exemplary measures for reducing the vibration load include wearing gloves during operation of the tool and the limitation of working hours. All parts of an operating cycle must be considered for this (e.g. times at which the power tool is switched off and times when it is switched on but runs without load).

## Transport and storage

### Note

If you store or transport the device improperly, the device may be damaged.

Note the information regarding transport and storage of the device.

### Transport

For transporting the device, use the transport case included in the scope of delivery in order to protect the device from external influences.

**Before** transporting the device, observe the following:

- Switch off the device by setting the switch for clockwise/ counter-clockwise rotation to centre position (lock).
- Hold onto the mains plug while pulling the power cable of the charger out of the mains socket.
- Allow the device to cool down.
- Remove the battery from the device.
- Remove the tool from the tool holder.

The supplied Li-ion batteries are subjects to the requirements of dangerous goods legislation.

Observe the following when transporting or shipping Li-ion batteries:

- The user may transport the batteries by road without any additional requirements.
- If transport is carried out by third parties (e.g. air transport or forwarding company), special requirements as to packaging and labelling must be observed. This includes consulting a dangerous goods specialist when preparing the package.
  - Only ship batteries if their housing is undamaged.
  - Mask open terminals with tape and pack the battery in a way that it cannot move inside the packaging.
  - Please also observe any other national regulations.

### Storage

**Before** storing the device, observe the following:

- Switch off the device by setting the switch for clockwise/ counter-clockwise rotation to centre position (lock).
- Hold onto the mains plug while pulling the power cable of the charger out of the mains socket.
- Allow the device to cool down.
- Remove the battery from the device.
- Remove the tool from the tool holder.
- Clean the device as described in the Maintenance chapter.
- For storing the device, use the transport case included in the scope of delivery in order to protect the device from external influences.
- Do not store Li-ion batteries which are completely discharged. Storing discharged batteries can lead to a deep discharge and thus damage the battery.

When the device is not being used, observe the following storage conditions:

- dry and protected from frost and heat
- Ambient temperature below 45 °C
- Protected from dust and direct sunlight inside the transport case

## Start-up

### Unpacking the device

- Take the transport case out of the packaging.



#### Warning of electrical voltage

Electric shock due to insufficient insulation!

Check the device for damages and proper functioning before each use.

If you detect damages, do not use the device any longer.

Do not use the device when either the device or your hands are damp or wet!

- Check the contents of the transport case for completeness and look for damages.



#### Warning

Risk of suffocation!

Do not leave the packaging lying around. Children may use it as a dangerous toy.

- Dispose of the packaging material according to the national regulations.

## Charging the battery

### Note

The battery can be damaged in case of improper charging.

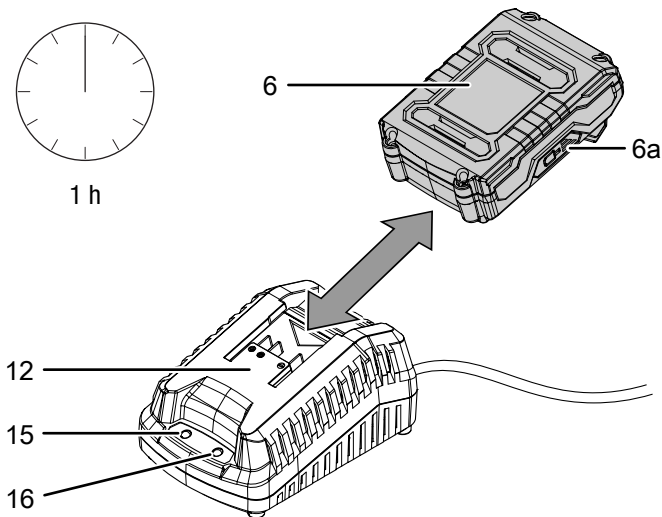
Remove the charger's mains plug before inserting or removing the battery.

Never charge the battery at ambient temperatures below 10 °C or above 40 °C.

The battery is partially charged upon delivery to avoid damage to the battery caused by a deep discharge.

Prior to initial start-up and when the battery is low (only the red LED in the battery level indication (6a) is illuminated), the battery should be charged. To do so, please proceed as follows:

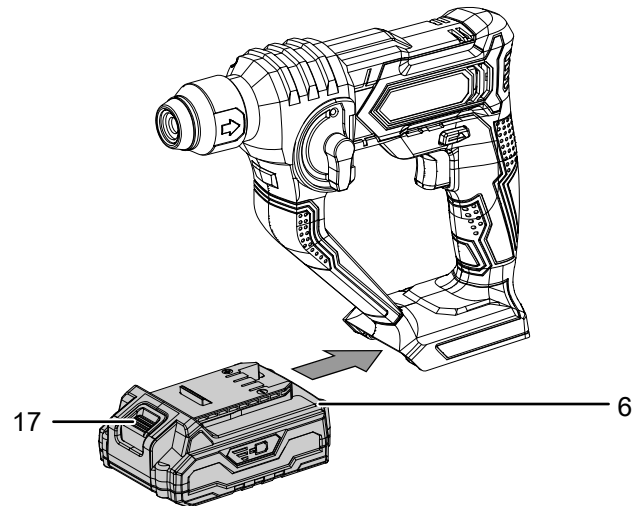
1. Slide the battery (6) onto the quick charger (12) as depicted until the battery locks in place.



2. Insert the mains plug of the quick charger (12) into a properly fused mains socket.
  - ⇒ The red battery LED (16) lights up.
  - ⇒ Charging requires approx. one hour.
3. Wait until the red battery LED (16) goes off and the green battery LED (15) lights up.
  - ⇒ The battery (6) is fully charged.
4. Hold onto the mains plug while pulling the power cable of the quick charger (12) out of the mains socket.
  - ⇒ The battery (6) and the quick charger (12) may have become warm during charging.
  - Allow the battery (6) to cool down to room temperature.
5. Take the battery (6) out of the quick charger (12) by pressing and holding the release button (17) and pulling the battery (6) off the quick charger (12).

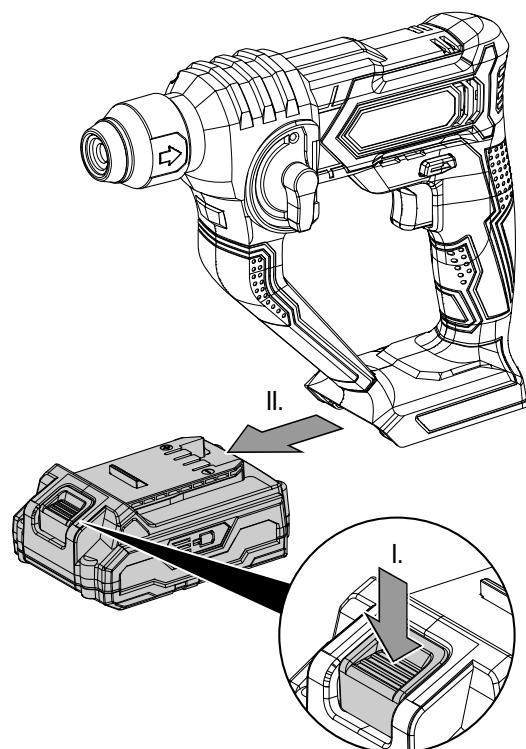
## Inserting the battery

1. Set the switch for clockwise / counter-clockwise rotation (3) to centre position (lock).
2. Slide the battery (6) into the holder (6b) until it locks in place.



## Removing the battery

1. Set the switch for clockwise / counter-clockwise rotation (3) to centre position (lock).
2. Detach the battery (6) from the device by pressing and holding the unlocking button (17, I.) and pulling the battery off the device (II.).



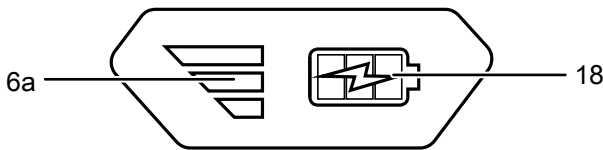
3. If required, charge the battery (6) as described in the section *Charging the battery*.

**Checking the battery charging status**

The battery comes with an integrated battery level indication. The battery status is displayed as follows by the three LEDs of the battery level indication (6a):

LED colour	Meaning
Green – Orange – Red	maximum charge / power
Orange – Red	medium charge / power
Red	weak charge – recharge the battery

1. Press on the battery icon (18) on the battery (6).  
⇒ You can read the battery status from the battery level indication (6a).



**Tool change**

The device comes equipped with an SDS-plus system tool holder.

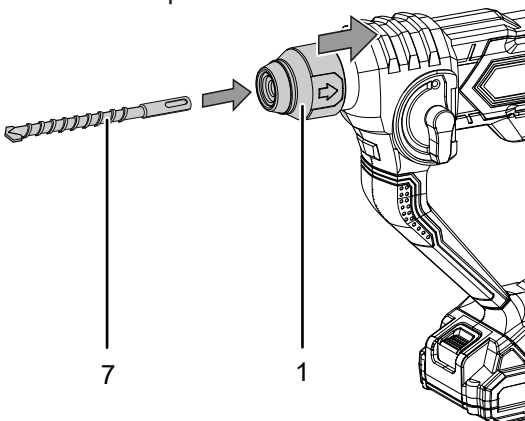


**Warning of electrical voltage**

Before any work on the device, remove the mains plug from the mains socket and the battery from the device! Hold onto the mains plug while pulling the power cable out of the mains socket.

Please proceed as follows to remove or insert tools:

1. Set the switch for clockwise / counter-clockwise rotation (3) to centre position (lock).
2. Push the SDS-plus system tool holder (1) to the rear, remove the tool from the tool holder (if any) and let go of the tool holder.
3. Insert the desired tool (e.g. SDS drill bit, 7) into the SDS-plus system tool holder (1) and, if necessary, slightly turn it until it clicks into place.

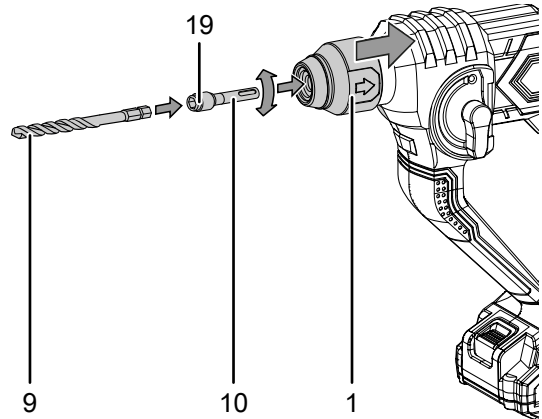


4. Check the tool for tight fit.

The SDS adapter (10) contained in the scope of delivery allows you to use standard bits. In addition, you can fit the SDS adapter with the extension with magnetic bit holder (11) contained in the scope of delivery.

Please proceed as follows to use the SDS bit adapter:

1. Push the tool holder (1) to the rear and hold it there.
2. Insert the SDS adapter (10) into the tool holder.



3. Let go of the tool holder (1).
4. Check the SDS adapter (10) for tight fit.
5. Pull the lock (19) of the SDS adapter to the rear and insert a bit (e.g. HSS drill bit, 9). Alternatively, you can insert the extension with magnetic bit holder (11).
6. Let go of the SDS adapter lock (19).  
⇒ The tool holder of the SDS adapter (10) is locked.
7. Make sure that the tool is attached securely.
8. Push the lock (19) of the SDS adapter to the rear to remove the bit or the extension with magnetic bit holder (11).



**Info**

The SDS adapter and the extension with magnetic bit holder allow you to use commercially available bits.

## Operation

### Tips and notes on handling the cordless rotary hammer

#### General information:

- The centre position of the clockwise/counter-clockwise rotation switch (lock) is suited for work breaks or (drill) bit exchange.

#### Drilling in general:

- Take short breaks regularly during drilling. When doing so, take the drill bit out of the drill hole so that the drill bit can cool down.
- Secure the workpiece in a tensioning device or vice.
- Select the speed depending on the material characteristics and the size of the drill bit:
  - High speed for small drilling diameter or soft material
  - Low speed for large drilling diameter or hard material
- Use a suitable aid to mark the intended location of the drill hole.
- Select a low speed for spudding.

#### Drilling in metal:

- Use suitable metal drill bits (e.g. drill bits made of *high-speed steel* (HSS)).
- For larger drilling diameters, use a smaller drill bit for pre-drilling.
- To achieve ideal results, the drill bit should be cooled with a suitable lubricant.
- Metal drill bits may also be used for drilling in plastic.

#### Drilling in wood:

- Use drill bits suitable for wood.
- Place a block of wood under the workpiece or drill in from both sides so that the wood cannot break off when it is being drilled through.
- Use a wood drill bit with centring tip. For deep drill holes, use an auger bit; for large drilling diameters, use a Forstner bit.

#### Hammer drilling in masonry / bricks:

- Use a drill bit suitable for masonry / bricks.

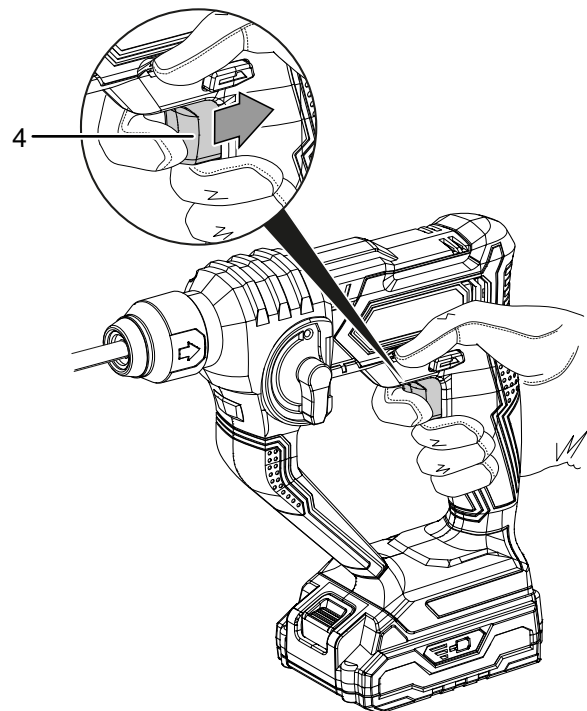
#### Screwing:

- When using screwdriver bits, always use a universal bit holder. Only use screwdriver bits that are suitable for the screw head.

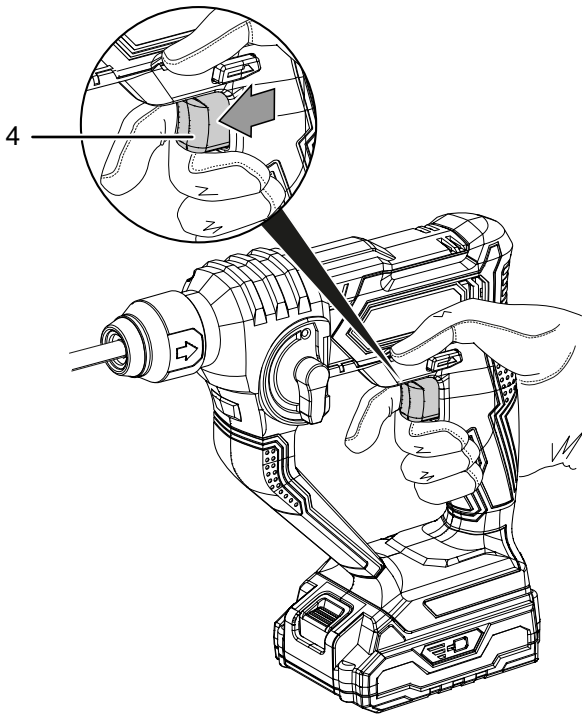
### Switching the device on and off

Wear your personal protective equipment when working with the device.

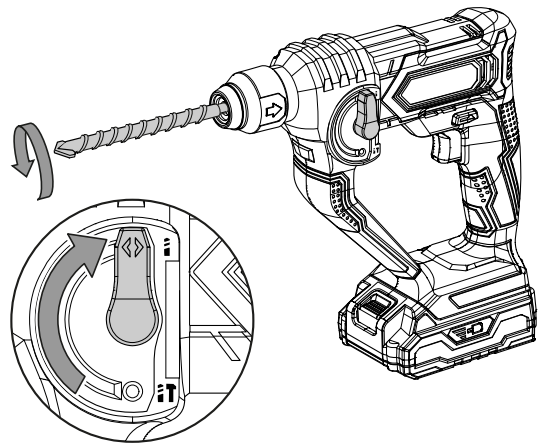
1. Check whether the fixed tool is suitable for the intended application.
2. Check whether the workpiece is secured and the worktop prepared correspondingly.
3. Check whether the correct rotational direction is selected.
4. If you work with activated impact mechanism, press the tool against the workpiece.
5. Hold onto the device with both hands.
6. Press the on/off switch (4) and hold it during operation. You can control the speed by pressing the on/off switch (4): press lightly for a low speed; press firmly for a high speed.
  - ⇒ The device operates with the previously selected settings.



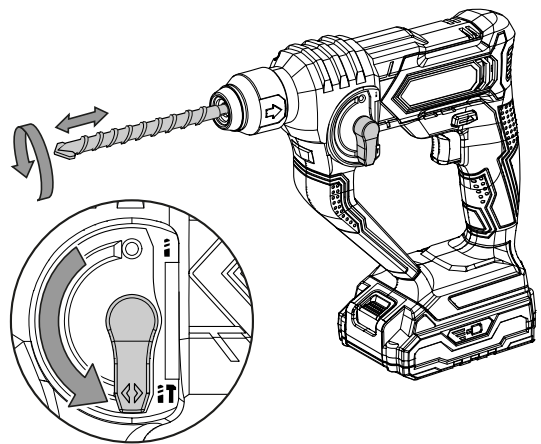
7. Let go of the on/off switch (4) to stop the device.



⇒ **Operating mode: Drilling** 



⇒ **Operating mode: Hammer drilling** 



8. Wait until the device has stopped before putting it away.

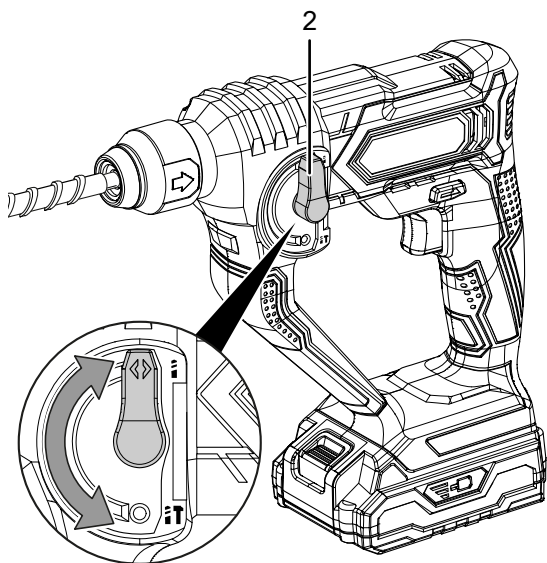
**Selecting the operating mode**

The function selector switch (2) is used to select drilling or hammer drilling.

**Note**

Only actuate the function selector switch when the device is at a standstill! Otherwise the device might be damaged.

1. Set the function selector switch (2) to the desired position.



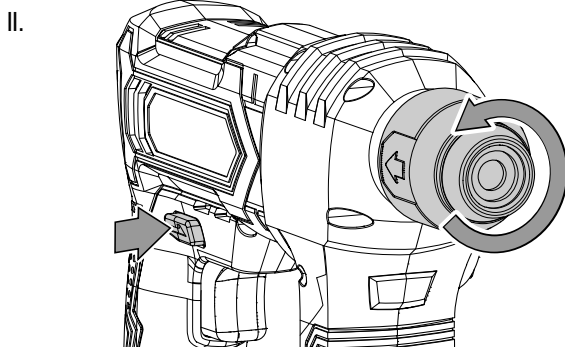
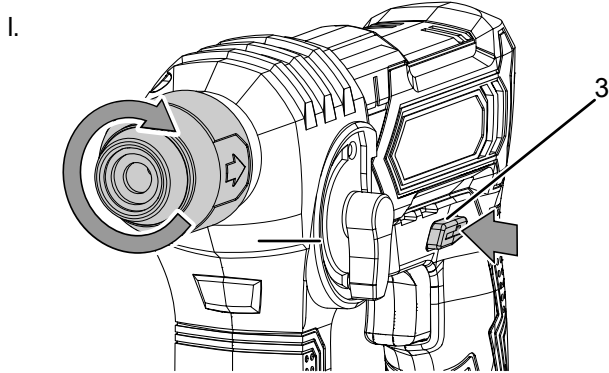
## Selecting the rotational direction

### Note

Only change the rotational direction when the device is at a standstill! Otherwise the device might be damaged.

The motor's rotational direction can be changed by means of the switch for clockwise / counter-clockwise rotation (3).

1. Press the switch for clockwise / counter-clockwise rotation (3) in all the way on that side towards which the motor shall rotate.



I. Unscrewing

II. Screwing in

2. Carry out a short test run to see whether the rotational direction matches the intended application. A wrong rotational direction may damage the tool and / or workpiece.
3. If required, set the switch for clockwise / counter-clockwise rotation (3) to centre position (lock) to block the on/off switch (4).

## Shutdown



### Warning of electrical voltage

Do not touch the mains plug with wet or damp hands.

- Set the switch for clockwise / counter-clockwise rotation (3) to centre position (lock).
- Hold onto the mains plug while pulling the power cable of the charger out of the mains socket.
- If required, allow the device to cool down.
- Remove the battery from the device (see Start-up chapter).
- Remove the tool from the device (see Start-up chapter).
- Clean the device according to the Maintenance chapter.
- Store the device according to the Transport and storage chapter.

## Available accessories



### Warning

Only use accessories and additional equipment specified in the instructions. Using insertion tools or accessories other than those specified in the instructions may cause a risk of injury.

Accessories	Article number
SDS drill bit and chisel set, 11-piece	6.205.001.101
Screw bit set, 32-piece	6.200.001.001
Spare battery Multiflex 20 – 2.0 DC	6.200.000.303

## Errors and faults

The device has been checked for proper functioning several times during production. If malfunctions occur nonetheless, check the device according to the following list.

Troubleshooting tasks which require the housing to be opened must only be carried out by an authorized specialist electrical company or by Trotec.

### Light smoke or odour is emitted during the first use:

- This is not a fault. These phenomena disappear after a brief runtime.

### The battery does not charge:

- Check whether the battery is correctly connected to the quick charger.  
Slide the battery into the quick charger in a way that the battery terminals engage in the quick charger. The battery must lock in place in the quick charger.
- Check the power connection.
- Check the power cable and mains plug for damages.
- Check the fuse (home).
- Check the quick charger for damages. Should the quick charger be damaged, stop using it. Contact the Trotec customer service.
- Check the battery terminals for dirt. Remove any dirt.
- The battery might be defective and have to be replaced. Only use batteries of the same type.

### The device does not start:

- The battery power might be too low. Recharge the battery.
- Check whether the battery is correctly connected to the device.  
Slide the battery onto the device in a way that the battery terminals engage. The battery must lock in place in the device.
- Check the battery terminals for dirt. Remove any dirt.
- Check the position of the clockwise/counter-clockwise rotation switch. The switch must be pressed in all the way. If the clockwise/counter-clockwise rotation switch is in centre position (lock), the on/off switch is blocked.





#### Info

Wait for at least 10 minutes before switching the device back on.

### The on/off switch cannot be pressed:

- Check whether the clockwise/counter-clockwise rotation switch is in centre position (lock). Set the desired rotational direction to unlock the tool.

### The drill bit does not penetrate / hardly penetrates the material:

- Check whether the correct operating mode is selected. The setting for drilling  or hammer drilling  should be selected.
- Check whether the correct drill bit is selected.
- Check whether the device is set to counter-clockwise rotation. For drilling, it is necessary to switch over to clockwise rotation.



#### Info

Wait for at least 10 minutes before switching the device back on.

### The on/off switch cannot be pressed:

- Check whether the clockwise/counter-clockwise rotation switch is in centre position (lock). Set the desired rotational direction to unlock the tool.

### The device becomes hot:

- Check whether the tool is suitable for the tasks to be carried out.
- Keep the venting slots clear to prevent the motor from overheating.
- Select a lower speed.



#### Info

Wait for at least 10 minutes before switching the device back on.

#### Note

Wait for at least 3 minutes after maintenance and repair work. Only then switch the device back on.

### The device still does not operate correctly after these checks:

Please contact the customer service. If necessary, bring the device to an authorised specialist electrical company or to Trotec for repair.

## Maintenance

### Activities required before starting maintenance



#### Warning of electrical voltage

Do not touch the mains plug or the battery with wet or damp hands.

- Switch the device off.
- Allow the device to cool down completely.
- Remove the battery from the device.



#### Warning of electrical voltage

**Maintenance tasks which require the housing to be opened must only be carried out by authorised specialist companies or by Trotec.**

### Notes on maintenance

Inside the device, there are no parts that need to be maintained or lubricated by the user.

### Safety signs on the battery and the charger

Check the safety signs attached to the battery and the charger at regular intervals. Replace illegible safety signs!



## Cleaning

The device should be cleaned before and after each use.

### Note

The device does not have to be lubricated after cleaning.



### Warning of electrical voltage

There is a risk of a short-circuit due to liquids penetrating the housing!

Do not immerse the device and the accessories in water. Make sure that no water or other liquids can enter the housing.

- Clean the device with a soft, damp and lint-free cloth. Make sure that no moisture enters the housing. Protect electrical components from moisture. Do not use any aggressive cleaning agents such as cleaning sprays, solvents, alcohol-based or abrasive cleaners to dampen the cloth.
- Dry the device with a soft, lint-free cloth.
- Dry the bits with a soft, lint-free cloth.
- Remove any drilling dust and, if applicable, wood chips from the SDS-plus tool holder.
- Keep the connecting terminals on the device and charger clean.
- Clean the dust protection cap (14). For easier cleaning, you can remove the dust cap from the device.
- Slightly grease the tool holder with machine lubricant before inserting another tool.

## Disposal

Always dispose of packing materials in an environmentally friendly manner and in accordance with the applicable local disposal regulations.



The icon with the crossed-out waste bin on waste electrical or electronic equipment is taken from Directive 2012/19/EU. It states that this device must not be disposed of with the household waste at the end of its life. You will find collection points for free return of waste electrical and electronic equipment in your vicinity. The addresses can be obtained from your municipality or local administration. You can also find out about other return options that apply for many EU countries on the website <https://hub.trotec.com/?id=45090>. Otherwise, please contact an official recycling centre for electronic and electrical equipment authorised for your country.

The separate collection of waste electrical and electronic equipment aims to enable the re-use, recycling and other forms of recovery of waste equipment as well as to prevent negative effects for the environment and human health caused by the disposal of hazardous substances potentially contained in the equipment.



In the European Union, batteries and accumulators must not be treated as domestic waste, but must be disposed of professionally in accordance with Directive 2006/66/EC of the European Parliament and of the Council of 6 September 2006 on batteries and accumulators. Please dispose of batteries and accumulators according to the relevant legal requirements.

### Only for United Kingdom

According to Waste Electrical and Electronic Equipment Regulations 2013 (SI 2013/3113) (as amended) and the Waste Batteries and Accumulators Regulations 2009 (SI 2009/890) (as amended), devices that are no longer usable must be collected separately and disposed of in an environmentally friendly manner.

## Declaration of conformity

Declaration of conformity in accordance with the EC Machinery Directive 2006/42/EC, Annex II, Part 1, Section A

We – Trotec GmbH – declare in sole responsibility that the product designated below was developed, constructed and produced in compliance with the requirements of the EC Machinery Directive in the version 2006/42/EC.

**Product model / Product:** PRDS 10-20V  
**Product type:** cordless rotary hammer  
**Year of manufacture as of:** 2023

### Relevant EU directives:

- 2011/65/EU
- 2012/19/EU
- 2014/30/EU
- 2015/863/EU

### Applied harmonised standards:

- EN 62841-1:2015
- EN IEC 62841-2-6:2020/A11:2020

### Applied national standards and technical specifications:

- EN IEC 55014-1:2021
- EN IEC 55014-2:2021

### Manufacturer and name of the authorised representative of the technical documentation:

Trotec GmbH  
Grebener Straße 7, D-52525 Heinsberg  
Phone: +49 2452 962-400  
E-mail: info@trotec.de

Place and date of issue:  
Heinsberg, 18.01.2023



Joachim Ludwig, Managing Director

Trotec GmbH

Grebener Str. 7  
D-52525 Heinsberg

☎ +49 2452 962-400

☎ +49 2452 962-200

✉ [info@trotec.com](mailto:info@trotec.com)

[www.trotec.com](http://www.trotec.com)