

PPOS 10-20V

EN

ORIGINAL INSTRUCTIONS
CORDLESS POLISHER



Table of contents

Notes regarding the instructions 2

Safety 2

Information about the device 8

Transport and storage 10

Start-up 10

Operation 12

Available accessories 13

Errors and faults 14


Maintenance 15


Disposal 15


Declaration of conformity 16

Notes regarding the instructions


Symbols


 **Warning of electrical voltage**
This symbol indicates dangers to the life and health of persons due to electrical voltage.


 **Warning**
This signal word indicates a hazard with an average risk level which, if not avoided, can result in serious injury or death.


 **Caution**
This signal word indicates a hazard with a low risk level which, if not avoided, can result in minor or moderate injury.

Note
This signal word indicates important information (e.g. material damage), but does not indicate hazards.

 **Info**
Information marked with this symbol helps you to carry out your tasks quickly and safely.

 **Follow the manual**
Information marked with this symbol indicates that the instructions must be observed.

 **Wear safety glasses**
Information marked with this symbol indicates that you should wear eye protection.

 **Wear a protective mask**
Information marked with this symbol indicates that you should wear a protective mask.

You can download the current version of the instructions and the EU declaration of conformity via the following link:




PPOS 10-20V



<https://hub.trotec.com/?id=44253>

Safety

General Power Tool Safety Warnings

 **Warning**
Read all safety warnings, instructions, illustrations and specifications provided with this power tool.
Failure to follow all instructions listed below may result in electric shock, fire and/or serious injury.
Save all warnings and instructions for future reference.

The term *power tool* in the warnings refers to your mains-operated (corded) power tool or battery-operated (cordless) power tool.

 **General Power Tool Safety Warnings – Work area safety**

- **Keep work area clean and well lit.** Clutter or dark areas invite accidents.
- **Do not operate power tools in explosive atmosphere, such as in the presence of flammable liquids, gases or dust.** Power tools create sparks which may ignite the dust or fumes.
- **Keep children and bystanders away while operating a power tool.** Distractions can cause you to lose control.

 **General Power Tool Safety Warnings – Electrical safety**

- **Power tool plugs must match the outlet. Never modify the plug in any way. Do not use any adapter plugs with earthed (grounded) power tools.** Unmodified plugs and matching outlets will reduce risk of electric shock.
- **Avoid body contact with earthed or grounded surfaces, such as pipes, radiators, ranges and refrigerators.** There is an increased risk of electric shock if your body is earthed or grounded.
- **Do not expose power tools to rain or wet conditions.** Water entering a power tool will increase the risk of electric shock.
- **Do not abuse the cord. Never use the cord for carrying, pulling or unplugging the power tool. Keep cord away from heat, oil, sharp edges or moving parts.** Damaged or entangled cords increase the risk of electric shock.
- **When operating a power tool outdoors, use an extension cord suitable for outdoor use.** Use of a cord suitable for outdoor use reduces the risk of electric shock.
- **If operating a power tool in a damp location is unavoidable, use a residual current device (RCD) protected supply.** Use of an RCD reduces the risk of electric shock.

 **General Power Tool Safety Warnings – Personal safety**

- **Stay alert, watch what you are doing and use common sense when operating a power tool. Do not use a power tool while you are tired or under the influence of drugs, alcohol or medication.** A moment of inattention while operating power tools may result in serious personal injury.



Use personal protective equipment. Always wear eye protection. Protective equipment such as a dust mask, non-skid safety shoes, hard hat or hearing protection used for appropriate conditions will reduce personal injuries.

- **Prevent unintentional starting. Ensure the switch is in the off-position before connecting to power source and/or battery pack, picking up or carrying the tool.** Carrying power tools with your finger on the switch or energising power tools that have the switch on invites accidents.
- **Remove any adjusting key or wrench before turning the power tool on.** A wrench or a key left attached to a rotating part of the power tool may result in personal injury.
- **Do not overreach. Keep proper footing and balance at all times.** This enables better control of the power tool in unexpected situation.
- **Dress properly. Do not wear loose clothing or jewellery. Keep your hair and clothing away from moving parts.** Loose clothes, jewellery or long hair can be caught in moving parts.
- **If devices are provided for the connection of dust extraction and collection facilities, ensure these are connected and properly used.** Use of dust collection can reduce dust-related hazards.
- **Do not let familiarity gained from frequent use of tools allow you to become complacent and ignore tool safety principles.** A careless action can cause severe injury within a fraction of a second.

**General Power Tool Safety Warnings – Power tool use and care**

- **Do not force the power tool. Use the correct power tool for your application.** The correct power tool will do the job better and safer at the rate for which it was designed.
- **Do not use the power tool if the switch does not turn it on and off.** Any power tool that cannot be controlled with the switch is dangerous and must be repaired.
- **Disconnect the plug from the power source and/or remove the battery pack, if detachable, from the power tool before making any adjustments, changing accessories, or storing power tools.** Such preventive safety measures reduce the risk of starting the power tool accidentally.
- **Store idle power tools out of the reach of children and do not allow persons unfamiliar with the power tool or these instructions to operate the power tool.** Power tools are dangerous in the hands of untrained users.
- **Maintain power tools and accessories. Check for misalignment or binding of moving parts, breakage of parts and any other condition that may affect the power tool's operation. If damaged, have the power tool repaired before use.** Many accidents are caused by poorly maintained power tools.
- **Keep cutting tools sharp and clean.** Properly maintained cutting tools with sharp cutting edges are less likely to bind and are easier to control.
- **Use the power tool, accessories and tool bits etc. in accordance with these instructions, taking into account the working conditions and the work to be performed.** Use of the power tool for operations different from those intended could result in a hazardous situation.
- **Keep handles and grasping surfaces dry, clean and free from oil and grease.** Slippery handles and grasping surfaces do not allow for safe handling and control of the tool in unexpected situations.

**General Power Tool Safety Warnings – Battery tool use and care**

- **Recharge only with charger specified by the manufacturer.** A charger that is suitable for one type of battery pack may create a risk of fire when used with another battery pack.
- **Use power tools only with specifically designed battery packs.** Use of any other battery packs may create a risk of injury and fire.
- **When battery pack is not in use, keep it away from other metal objects, like paper clips, coins, keys, nails, screws or other small metal objects, that can make a connection from one terminal to another.** Shorting the battery terminals together may cause burns or a fire.
- **Under abusive conditions, liquid may be ejected from the battery; avoid contact. If contact accidentally occurs, flush with water. If liquid contacts eyes, additionally seek medical help.** Liquid ejected from the battery may cause irritation or burns.
- **Do not use a battery pack or tool that is damaged or modified.** Damaged or modified batteries may exhibit unpredictable behaviour resulting in fire, explosion or risk of injury.
- **Do not expose a battery pack or tool to fire or excessive temperature.** Exposure to fire or temperature above 130 °C may cause explosion.
- **Follow all charging instructions and do not charge the battery pack or tool outside the temperature range specified in the instructions.** Charging improperly or at temperatures outside the specified range may damage the battery and increase the risk of fire.

 **General Power Tool Safety Warnings – Charger use and care**

- **This charger can be used by children aged from 8 years and above and persons with reduced physical, sensory or mental capabilities or lack of experience and knowledge if they have been given supervision or instruction concerning use of the appliance in a safe way and understand the hazards involved. Children shall not play with the appliance.** Cleaning and user maintenance shall not be made by children without supervision.
- **Never insert non-rechargeable batteries into the charger.** A charger that is suitable for one type of battery pack may create a risk of fire and explosion, when used with another battery pack or non-rechargeable batteries.
- Only charge the Li-Ion battery "Multiflex 20 – 2.0 DC" (capacity of 2.0 Ah = 5 battery cells) with the charger "Multiflex 20 – 2.0 AC". The battery voltage must match the battery charging voltage of the charger.

 **General Power Tool Safety Warnings – Service**

- **Have your power tool serviced by a qualified repair person using only identical replacement parts.** This will ensure that the safety of the power tool is maintained.
- **Never service damaged battery pack.** Service of battery packs should only be performed by the manufacturer or authorized service providers.

 **Device-specific safety warnings for polishing machines**

- **Do not use accessories which are not specifically designed and recommended by the tool manufacturer.** Just because the accessory can be attached to your power tool, it does not assure safe operation.
- **Hold onto the power tool with both hands. Position your arms and your body in a way that allows you to have the greatest control possible in order to absorb kickback forces and reaction torques at high rotational speeds.**
- **Never lay the power tool down until the accessory has come to a complete stop.** The spinning accessory may grab the surface and pull the power tool out of your control.
- **Do not run the power tool while carrying it at your side.** Accidental contact with the spinning accessory could snag your clothing and entangle the accessory in your clothing.
- **Use special care when working corners and sharp edges. Avoid the accessory bouncing or getting stuck in a corner.** The result would be a loss of control or kickback.
- **Do not position your hand in the area next to the rotating polishing wheel.** In the event of a loss of control or kickback, the rotating polishing wheel can hit your hand and cause injuries.
- **Make sure that the polishing bonnet is well attached on the polishing disc.** A loose polishing bonnet can slip from the polishing disc, get entangled with your hand and cause injuries.
- **Only switch on the polishing machine once the polishing disc completely rests on the area to be polished.**
- **Do not use abrasives.** Abrasives can damage the paint.



Dust particles hazardous to health can be released during dry polishing. Always wear a suitable dust mask to protect you from inhaling dust particles.



Safety Warnings Specific for Polishing Operations

Make sure that no loose parts of the polishing bonnet, in particular its attachment strings, spring freely. Clamp the attachment strings or cut them to length. Loose and spinning attachment strings can entangle your fingers or snag on the workpiece.

Intended use

Only use the device PPOS 10-20V:

- for treating and refurbishing cars, boats, caravans, motorcycles, floors or furniture.
- for polishing, waxing or dewaxing painted or chromium-plated areas.

We recommend using the power tool with original Trotec accessories.

Foreseeable misuse

The device is not suitable for grinding, sanding, wire brushing or working with cutting wheels.

Any other use than the one described in the chapter "Intended use" is regarded as reasonably foreseeable misuse.

Personnel qualifications

People who use this device must:

- have read and understood the instructions, especially the Safety chapter.

Safety signs and labels on the battery and the charger

Note

Do not remove any safety signs, stickers or labels from the device. Keep all safety signs, stickers and labels in legible condition.

The following safety signs and labels are attached to the battery:



Warning of explosion risk!

These symbols indicate the following:



Do not expose the battery pack or tool to fire or excessive temperature! Do not let the battery come into contact with water or fire! Avoid direct sunlight and moisture. There is a risk of explosion!

Never charge the battery at ambient temperatures below 10 °C or above 40 °C. Charging improperly or at temperatures outside the specified range may damage the battery and increase the risk of fire.



Observe the correct disposal of the battery!

This symbol indicates the following:

Ensure that the battery is disposed of correctly and never dispose of it in waste water or public waters. The battery contains irritating, caustic and toxic substances that pose significant risks to people and the environment.

The following safety signs and labels are attached to the charger:



This symbol indicates the following:

Read the instructions or operating manual before charging the battery.



This symbol indicates the following:

Only use the charger for charging the battery in dry interior spaces. Do not charge the device outdoors.

Personal protective equipment



Wear eye protection.

With it you protect your eyes from splintering, falling and flying pieces which could cause injuries.



Wear a protective mask.

It saves you from inhaling harmful dusts generated when processing workpieces.

Residual risks



Warning of electrical voltage

Electric shock from insufficient insulation. Check the device for damages and proper functioning before each use. If you notice damages, no longer use the device. Do not use the device when the device or your hands are damp or wet!



Warning of electrical voltage

Work on the electrical components must only be carried out by an authorised specialist company!



Warning of electrical voltage

Before any work on the device, remove the mains plug from the mains socket and the battery from the device! Hold onto the mains plug while pulling the power cable out of the mains socket.



Warning of electrical voltage

There is a risk of a short-circuit due to liquids penetrating the housing! Do not immerse the device and the accessories in water. Make sure that no water or other liquids can enter the housing.



Warning of explosive substances

Do not expose the battery to temperatures above 45 °C! Do not let the battery come into contact with water or fire! Avoid direct sunlight and moisture. There is a risk of explosion!



Warning of hot surface

Some parts of this product can become very hot and cause burns. Particular attention has to be given where children and vulnerable people are present!



Warning

Toxic dusts!



The harmful / toxic dusts produced during operation pose of risk to the health of the operator and persons in the vicinity.



Wear eye protection and a dust mask!



Warning

Do not process materials containing asbestos. Asbestos is considered carcinogenic.



Warning

Dangers can occur at the device when it is used by untrained people in an unprofessional or improper way! Observe the personnel qualifications!



Warning

The device is not a toy and does not belong in the hands of children.



Warning

Risk of suffocation! Do not leave the packaging lying around. Children may use it as a dangerous toy.



Caution

Vibration emissions can cause a health hazard if the device is used for an extended period of time or if it is not properly handled and maintained.



Caution

Keep a sufficient distance from heat sources.

Note

If you store or transport the device improperly, the device may be damaged. Note the information regarding transport and storage of the device.

Behaviour in the event of an emergency / emergency stop function

Emergency stop:

Removing the battery results in the function of the device stopping immediately. Leave the battery out in order to secure the device against accidental switch-on.

Behaviour in the event of an emergency:

1. Switch the device off.
2. In the event of an emergency, remove the battery from the device: Hold the release button of the battery and pull the battery off the device as described in chapter "Removing the battery".
3. Do not insert the battery if the device is defective.

Information about the device

Device description

The device PPOS 10-20V is suited for treating and refurbishing cars, boats, caravans, motorcycles, floors, furniture and other painted surfaces.

The device operates at an idle speed of 3000 rpm. The large polishing disc with Ø 245 mm provides for treating large surfaces.

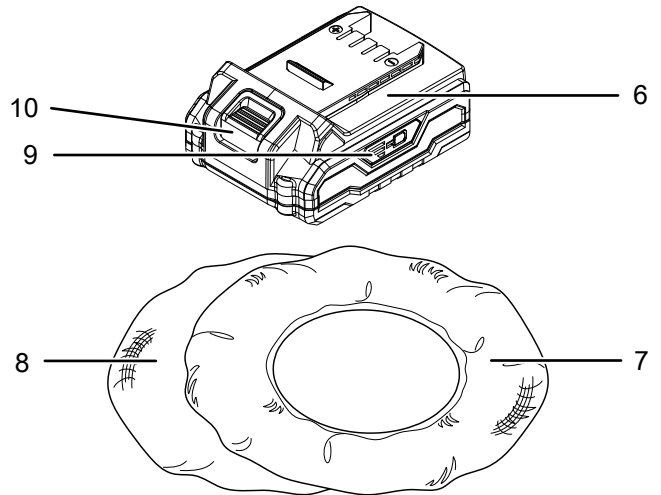
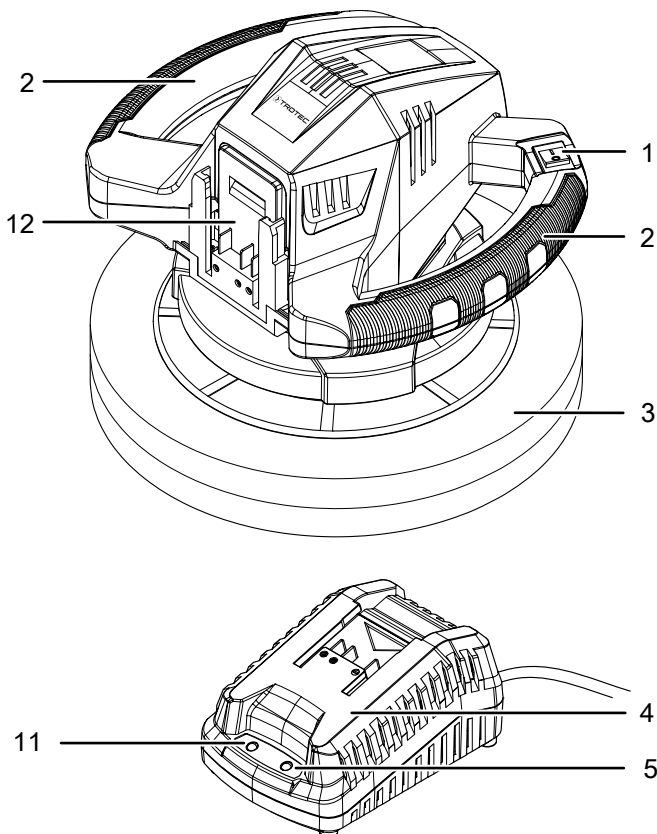
The supplied cloth polishing bonnet is ideally suited for applying polishing agent, the synthetic fibre polishing bonnet serves for polishing or dewaxing surfaces.

No polishing marks will occur thanks to eccentric motion.

The device is equipped with two handles for maximum surface control. It allows for an even pressure distribution.

The battery comes with its own battery level indication. As a result you can check the current charging status without having to connect it to the device.

Device depiction

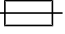



No.	Designation
1	On/off switch
2	Handle
3	Polishing disc
4	Quick charger
5	Red battery LED (battery charging)
6	Battery
7	Cloth polishing bonnet
8	Synthetic fibre polishing bonnet
9	Battery level indication
10	Release button
11	Green battery LED (quick charger ready for operation)
12	Battery holder

Scope of delivery

- 1 x Cordless polisher PPOS 10-20V
- 1 x Rechargeable battery
- 1 x Quick charger
- 1 x Cloth polishing bonnet
- 1 x Synthetic fibre polishing bonnet
- 1 x Manual

Technical data

Parameter	Value
Model	PPOS 10-20V
Nominal voltage	20 V $\overline{\text{---}}$
Idle speed	3000 rpm
Diameter of polishing disc	245 mm
Weight	2.0 kg
Battery	Multiflex 20 – 2.0 DC
Type	Li-ion
Nominal voltage	20 V $\overline{\text{---}}$
Capacity	2 Ah
Quick charger	Multiflex 20 – 2.0 AC
Input	
Nominal voltage	230 - 240 V / 50 Hz
Power input	65 W
Output	
Nominal voltage	21.5 V $\overline{\text{---}}$
Charging current	2.4 A
Fusing 	3.15 A (slow-blowing)
Charging time	1 h
Protection class	II / 
Vibration information according to EN 62841	
Vibration emission value a_h	9.15 m/s ²
Uncertainty K	1.5 m/s ²
Sound values according to EN 62841	
Sound pressure level L_{pA}	66.4 dB(A)
Sound power L_{WA}	77.4 dB(A)
Uncertainty K	3 dB

Information on noise and vibration:

- The specified total vibration **and noise emission values** were measured by means of a test procedure standardized in EN 62841 and can be consulted for the comparison of one power tool with another.
- The specified total vibration **and noise emission values** can also be used for preliminary load assessment.



Caution

Vibration emissions can cause a health hazard if the device is used for an extended period of time or if it is not properly handled and maintained.

- The actual vibration **and noise emission** may differ from the stated values during operation of the power tool. This depends on how the power tool is used and especially on the type of workpiece being processed. Try to keep the vibration load to a minimum. Exemplary measures for reducing the vibration load include wearing gloves during operation of the tool and the limitation of working hours. All parts of an operating cycle must be considered for this (e.g. times at which the power tool is switched off and times when it is switched on but runs without load).

Transport and storage

Note

If you store or transport the device improperly, the device may be damaged.

Note the information regarding transport and storage of the device.

Transport

Before transporting the device, observe the following:

- Switch off the device.
- Hold onto the mains plug while pulling the power cable of the charger out of the mains socket.
- Allow the device to cool down.
- Remove the battery from the device.
- Remove the polishing bonnet from the device.

The supplied Li-ion batteries are subjects to the requirements of dangerous goods legislation.

Observe the following when transporting or shipping Li-ion batteries:

- The user may transport the batteries by road without any additional requirements.
- If transport is carried out by third parties (e.g. air transport or forwarding company), special requirements as to packaging and labelling must be observed. This includes consulting a dangerous goods specialist when preparing the package.
 - Only ship batteries if their housing is undamaged.
 - Mask open terminals with tape and pack the battery in a way that it cannot move inside the packaging.
 - Please also observe any other national regulations.

Storage

Before storing the device, observe the following:

- Switch off the device.
- Hold onto the mains plug while pulling the power cable of the charger out of the mains socket.
- Allow the device to cool down.
- Remove the battery from the device.
- Remove the polishing bonnet from the polishing disc.
- Clean the device as described in the Maintenance chapter.
- Do not store Li-ion batteries which are completely discharged. Storing discharged batteries can lead to a deep discharge and thus damage the battery.

When the device is not being used, observe the following storage conditions:

- Dry and protected from frost and heat
- Ambient temperature below 45 °C
- protected from dust and direct sunlight
- Store the device with the polishing disc facing upwards in order for the polishing disc to maintain its shape.

Start-up

Unpacking the device

- Take the device and the accessories out of the packaging.



Warning of electrical voltage

Electric shock from insufficient insulation.

Check the device for damages and proper functioning before each use.

If you notice damages, no longer use the device.

Do not use the device when the device or your hands are damp or wet!

- Check the contents for completeness and look for damages.



Warning

Risk of suffocation!

Do not leave the packaging lying around. Children may use it as a dangerous toy.

- Dispose of the packaging material according to the national regulations.

Charging the battery

Note

The battery can be damaged in case of improper charging.

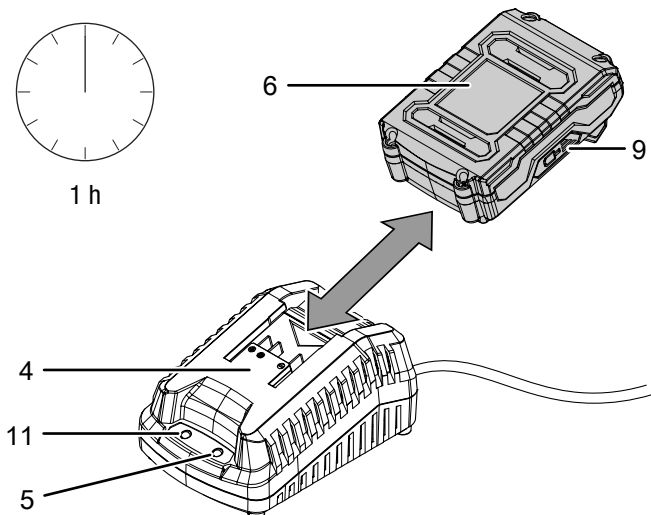
Remove the charger's mains plug before inserting or removing the battery.

Never charge the battery at ambient temperatures below 10 °C or above 40 °C.

The battery is partially charged upon delivery to avoid damage to the battery caused by a deep discharge.

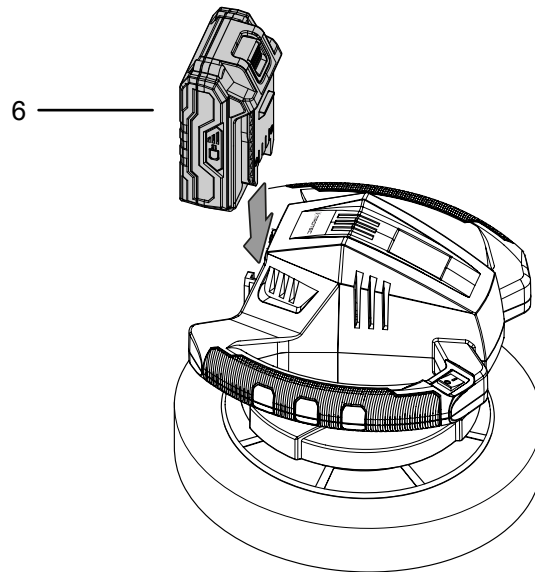
Prior to initial start-up and when the battery is low (only the red LED in the battery level indication (9) is illuminated), the battery should be charged. To do so, please proceed as follows:

1. Slide the battery (6) onto the quick charger (4) as depicted until the battery locks in place.



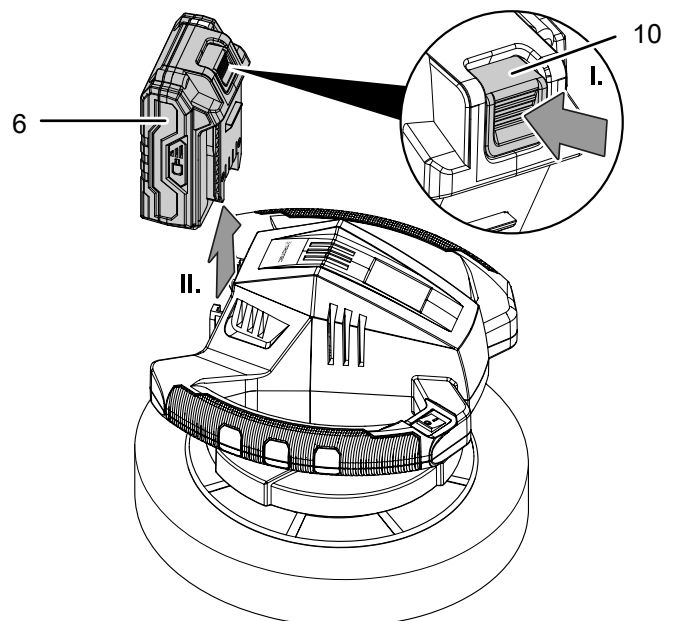
Inserting the battery

1. Slide the battery (6) onto the device until it locks in place.



Removing the battery

1. Detach the battery (6) from the device by pressing and holding the unlocking button (10, I.) and pulling the battery off the device (II.).



2. If required, charge the battery (6) as described in the section *Charging the battery*.

2. Insert the mains plug of the quick charger (4) into a properly fused mains socket.
 - ⇒ The red battery LED (5) lights up.
 - ⇒ Charging requires approx. one hour.
3. Wait until the red battery LED (5) goes off and the green battery LED (11) lights up.
 - ⇒ The battery (6) is fully charged.
4. Hold onto the mains plug while pulling the power cable of the quick charger (4) out of the mains socket.
 - ⇒ The battery (6) and the quick charger (4) may have become warm during charging.

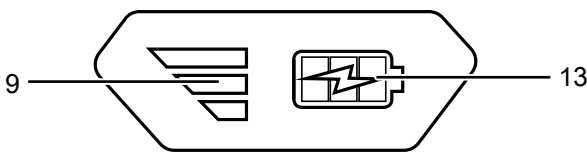
Allow the battery (6) to cool down to room temperature.
5. Take the battery (6) out of the quick charger (4) by pressing and holding the release button (10) and pulling the battery (6) off the quick charger (4).

Checking the battery charging status

The battery comes with an integrated battery level indication. The battery status is displayed as follows by the three LEDs of the battery level indication (9):

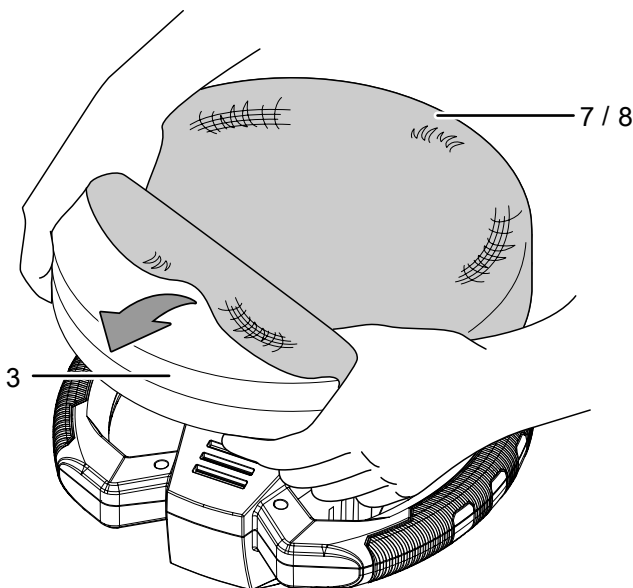
LED colour	Meaning
Green – Orange – Red	maximum charge / power
Orange – Red	medium charge / power
Red	weak charge – Recharge the battery.

1. Press on the battery icon (13) on the battery (6).
 ⇒ You can read the battery status from the battery level indication (9).



Placing the polishing bonnet on the device

1. Remove the battery from the device.
2. Turn the bottom of the device up.
3. Pull the polishing bonnet (7 or 8) over the polishing disc (3).



Operation

Tips and notes on handling the polishing machine

General information:

- Make sure that the surface to be treated and the polishing bonnets are free from dirt. Dirt particles can cause scratches on the surface.
- Slowly guide the device along the surface to be polished. Do not apply grinding pressure.
- If there are any areas difficult to access, remove the polishing bonnet from the polishing disc and treat the areas manually.
- Make sure that the paint to be treated has been thoroughly cleaned and is completely dry. Heavily oxidised paint requires a special cleaning agent.
- Only use high-quality products for waxing and polishing and observe the process information of the manufacturer specified on the packaging.

Applying the polish:

- Use the supplied cloth polishing bonnet for applying the polish.
- Evenly distribute the polishing agent all the way to the edge of the cloth polishing bonnet.
- Dab the cloth polishing bonnet on several spots of the surface to be polished. Once more, any excess polishing agent will distribute in the cloth polishing bonnet and on the surface to be polished.
- Avoid using too much polishing agent. Later on, this will only make it more difficult to remove the layer of the polishing agent on the paint and does not improve the result.
- Make sure to apply the polishing agent evenly to obtain an equally thin coating without any left-out spots.
- If you apply the polishing agent on a vehicle, treat all even and large surfaces (e.g. bonnet of the car, boot lid and roof) first. Afterwards, treat the smaller areas such as doors and car wings.

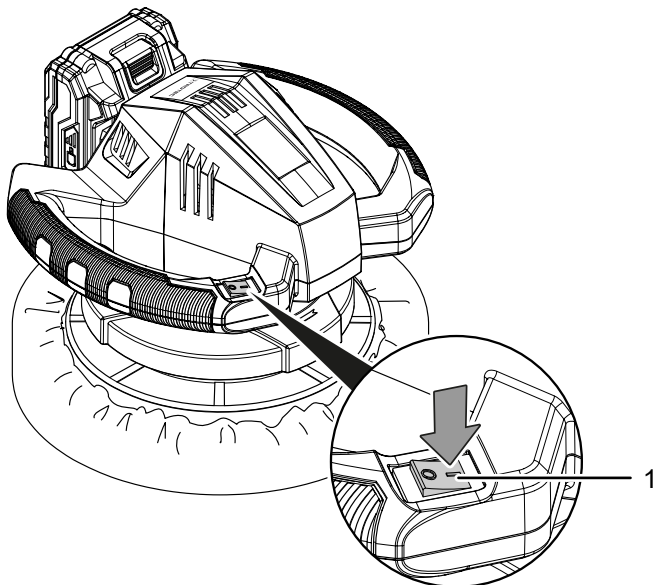
Polishing surfaces:

- Use the supplied synthetic fibre polishing bonnet for polishing.
- Prior to polishing, make sure that the polishing agent has lightly dried on the entire surface.
- Treat the surfaces in the same order as you applied the polishing agent before. Treat even and large areas first. Then, treat smaller areas.

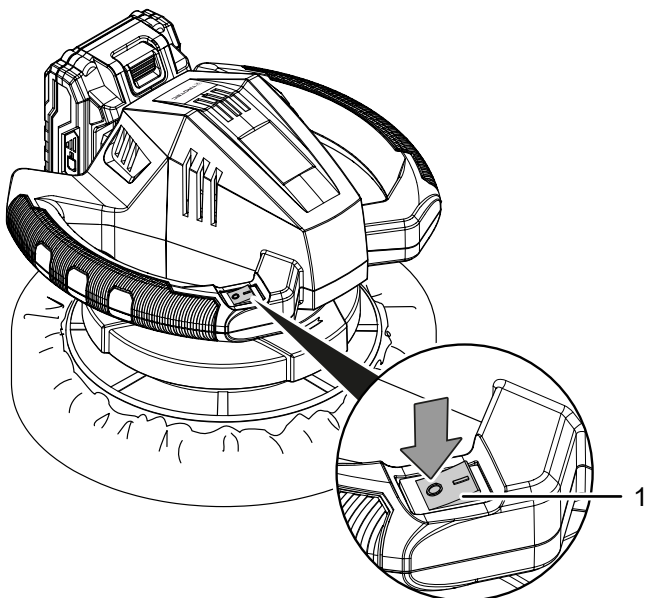
Switching the device on and off

Wear your personal protective equipment when working with the device.

1. Take the device into both hands by holding it on the handles.
2. Place the polishing machine on the area to be treated.
3. Switch the device on by setting the on/off switch (1) to position **I**.



4. Switch the device off by setting the on/off switch (1) to position **0**. Only then remove the device from the surface to be treated.



Shutdown



Warning of electrical voltage

Do not touch the mains plug with wet or damp hands.

- Switch off the device.
- If required, allow the device to cool down.
- Remove the battery from the device (see Start-up chapter).
- Remove the polishing bonnet from the polishing disc.
- Clean the device according to the Maintenance chapter.
- Store the device according to the Transport and storage chapter.

Available accessories



Warning

Only use accessories and additional equipment specified in the instructions.

Using insertion tools or accessories other than those specified in the instructions may cause a risk of injury.

Designation	Article number
Spare battery Multiflex 20-2.0 DC	6.200.000.303
Spare battery Multiflex 20-4.0 DC	6.200.000.320

Errors and faults

The device has been checked for proper functioning several times during production. If malfunctions occur nonetheless, check the device according to the following list.

Troubleshooting tasks which require the housing to be opened must only be carried out by an authorized specialist electrical company or by Trotec.

Light smoke or odour is emitted during the first use:

- This is not a fault. These phenomena disappear after a brief runtime.

The battery does not charge:

- Check whether the battery is inserted correctly in the quick charger.

Slide the battery into the quick charger in a way that the battery terminals engage in the quick charger. The battery must lock in place in the quick charger.

- Check the power connection.
- Check the power cable and mains plug for damage.
- Check the on-site fusing.
- Check the quick charger for damage. If the quick charger is damaged, stop using it. Contact the Trotec customer service.
- Check the battery terminals for dirt. Remove any dirt.
- The battery might be defective and have to be replaced. Only use batteries of the same type.

The device does not start:

- The battery power might be too low. Recharge the battery.
- Check whether the battery is correctly connected to the device.

Slide the battery onto the device in a way that the battery terminals engage. The battery must lock in place in the device.

- Check the battery terminals for dirt. Remove any dirt.



Info

Wait for at least 10 minutes before switching the device back on.

The motor is running but polishing the surface does not work

- Check whether you chose the appropriate polishing bonnet for your current working step. Use the cloth polishing bonnet for applying the polishing agent. Use the synthetic fibre polishing bonnet for polishing the surfaces.
- Check whether the polishing agent has lightly dried on the entire surface. If the polishing agent is still wet, it will be smudged by the synthetic fibre polishing bonnet.
- Check whether you may have applied too much polishing agent. Excess polishing agent will only make it more difficult to remove the layer of the polishing agent on the paint and does not improve the result.

The device becomes hot:

- Keep the venting slots clear to prevent the motor from overheating.



Info

Wait for at least 10 minutes before switching the device back on.

The device still does not operate correctly after these checks:

Please contact the customer service. If necessary, bring the device to an authorised specialist electrical company or to Trotec for repair.

Maintenance

Activities required before starting maintenance



Warning of electrical voltage

Do not touch the mains plug or the battery with wet or damp hands.

- Switch the device off.
- Allow the device to cool down completely.
- Remove the battery from the device.



Warning of electrical voltage

Maintenance tasks which require the housing to be opened must only be carried out by authorised specialist companies or by Trotec.

Notes on maintenance

Inside the device, there are no parts that need to be maintained or lubricated by the user.

Safety signs on the battery and the charger

Check the safety signs attached to the battery and the charger at regular intervals. Replace illegible safety signs!

Cleaning

The device should be cleaned before and after each use.



Warning of electrical voltage

There is a risk of a short-circuit due to liquids penetrating the housing!

Do not immerse the device and the accessories in water. Make sure that no water or other liquids can enter the housing.

- Clean the device with a soft, damp and lint-free cloth. Make sure that no moisture enters the housing. Protect electrical components from moisture. Do not use any aggressive cleaning agents such as cleaning sprays, solvents, alcohol-based or abrasive cleaners to dampen the cloth.
- Dry the device with a soft, lint-free cloth.
- Keep the connecting terminals on the device and charger clean.

Cleaning the polishing bonnets

- Only wash the polishing bonnets by hand and allow to air dry.
- Remove the polishing bonnet if you do not use it and store the device with the polishing disc facing upwards in order for the polishing disc to dry and to maintain its shape.

Disposal



The icon with the crossed-out waste bin on waste electrical or electronic equipment stipulates that this equipment must not be disposed of with the household waste at the end of its life. You will find collection points for free return of waste electrical and electronic equipment in your vicinity. The addresses can be obtained from your municipality or local administration. You can also find out about other return options that apply for many EU countries on the website <https://hub.trotec.com/?id=45090>. Otherwise, please contact an official recycling centre for electronic and electrical equipment authorised for your country.

The separate collection of waste electrical and electronic equipment aims to enable the re-use, recycling and other forms of recovery of waste equipment as well as to prevent negative effects for the environment and human health caused by the disposal of hazardous substances potentially contained in the equipment.



LI-Ion

In the European Union, batteries and accumulators must not be treated as domestic waste, but must be disposed of professionally in accordance with Directive 2006/66/EC of the European Parliament and of the Council of 6 September 2006 on batteries and accumulators. Please dispose of batteries and accumulators according to the relevant legal requirements.

Declaration of conformity

Declaration of conformity in accordance with the EC Machinery Directive 2006/42/EC, Annex II, Part 1, Section A

We – Trotec GmbH – declare in sole responsibility that the product designated below was developed, constructed and produced in compliance with the requirements of the EC Machinery Directive in the version 2006/42/EC.

Product model / Product: PPOS 10-20V

Product type: cordless polisher

Year of manufacture as of: 2021

Relevant EU directives:

- 2011/65/EU: 01/07/ 2011
- 2012/19/EU: 24/07/2012
- 2014/30/EU: 29/03/2014
- 2015/863/EU: 31/03/2015

Applied harmonised standards:

- EN 55014-1:2017
- EN 62841-1:2015
- EN 62841-2-4:2014

Applied national standards and technical specifications:

- EN 55014-2:2015

Manufacturer and name of the authorised representative of the technical documentation:

Trotec GmbH
Grebbener Straße 7, D-52525 Heinsberg
Phone: +49 2452 962-400
E-mail: info@trotec.de

Place and date of issue:

Heinsberg, 20.07.2021



Detlef von der Lieck, Managing Director

Trotec GmbH

Grebener Str. 7
D-52525 Heinsberg

☎ +49 2452 962-400

☎ +49 2452 962-200

✉ info@trotec.com

www.trotec.com