

EN

INSTRUCTIONS  
LED WORK LAMP



**Table of contents**

**Information on the use of these instructions** ..... 2

**Safety** ..... 2

**Information about the device** ..... 4

**Transport and storage** ..... 5

**Start-up** ..... 6

**Operation** ..... 7


**Errors and faults** ..... 8


**Maintenance** ..... 8

**Disposal** ..... 9


**Information on the use of these instructions**


**Symbols**

 **Warning**  
This signal word indicates a hazard with an average risk level which, if not avoided, can result in serious injury or death.

 **Caution**  
This signal word indicates a hazard with a low risk level which, if not avoided, can result in minor or moderate injury.

**Notice**  
This signal word indicates important information (e.g. material damage), but does not indicate hazards.

 **Info**  
Information marked with this symbol helps you to carry out your tasks quickly and safely.

 **Follow the manual**  
Information marked with this symbol indicates that the instructions must be observed.

You can download the current version of the instructions and the EU declaration of conformity via the following link:




PWLS 08-10




<https://hub.trotec.com/?id=47142>


**Safety**

**General safety warnings for LED work lights**


 **Warning**  
**Read all safety warnings, instructions, illustrations and specifications provided with this work light.** Failure to follow all instructions listed below may result in electric shock, fire and/or serious injury.  
**Save all warnings and instructions for future reference.**

 **General safety warnings – Work area safety**

- **Keep your work area clean.** Clutter can cause accidents.
- **Keep children and other vulnerable people away while operating the device.** Parts of the device may become hot.

 **General safety warnings – Electrical safety**

- **Do not expose the device to rain or wet conditions.** Water entering the device can cause damage.

 **General safety warnings – Battery use and care**

- **The battery is permanently installed. Never remove the battery and only charge it as described.** Use of any other battery packs may create a risk of injury and fire.
- **Keep the USB inputs closed with the rubber side cover to prevent them from contamination.** If you do not follow this advice and the USB inputs become contaminated, it might not be possible to plug in the USB charging cable.
- **Follow all charging instructions.** **Never charge the battery outside the temperature range specified in the instructions.** Charging improperly or at temperatures outside the specified range may damage the battery and increase the risk of fire.

- **Keep charger and USB charging cable clean.**  
Contamination can cause damage to the charger and/or USB charging cable.
- **Under abusive conditions, liquid may be ejected from the battery;** avoid contact. If contact accidentally occurs, flush with water. If liquid contacts eyes, additionally seek medical help. Liquid ejected from the battery may cause irritation or burns.
- **Stop using the device if the battery is damaged.**  
Damaged batteries may exhibit unpredictable behaviour resulting in fire, explosion or risk of injury.
- **Do not open the device housing.** Opening the housing can result in damage to the device.
- **Do not expose a battery to fire or excessive temperature.** Exposure to fire or temperature above 75 °C may cause explosion.



#### General safety warnings – Service

- **Have the device serviced by a qualified repair person using only identical replacement parts.** This will ensure that the safety of the device is maintained.
- **Never service damaged battery pack.** Service of battery packs should only be performed by the manufacturer or authorized service providers.

#### Intended use

Use the device PWLS 08-10 according to the technical data and only for a temporary illumination of indoor and outdoor areas, e.g. for construction sites.

Any use other than the intended use is regarded as misuse.

#### Reasonably foreseeable misuse

The device is not intended for permanent illumination of indoor and outdoor areas.

The device is not suitable for mains operation.

#### Residual risks



##### Warning of explosive substances

Do not expose the battery to temperatures above 75 °C! Do not let the battery come into contact with water or fire! Avoid direct sunlight and moisture. There is a risk of explosion!



##### Warning

Do not look directly into the LEDs! The optical radiation can be harmful for your eyes.



##### Warning

Dangers can occur at the device when it is used by untrained people in an unprofessional or improper way! Observe the personnel qualifications!



##### Warning

The device is not a toy and does not belong in the hands of children.



##### Warning

Risk of suffocation!

Do not leave the packaging lying around. Children may use it as a dangerous toy.



##### Caution

Keep a sufficient distance from heat sources.

##### Notice

If you store or transport the device improperly, the device may be damaged.

Note the information regarding transport and storage of the device.

**Information about the device**

**Device description**

The device is equipped with bright surface LEDs.

Five brightness levels as well as a strobe mode can be selected. Strobe mode provides a flash effect that can be used for warning, marking and defence purposes.

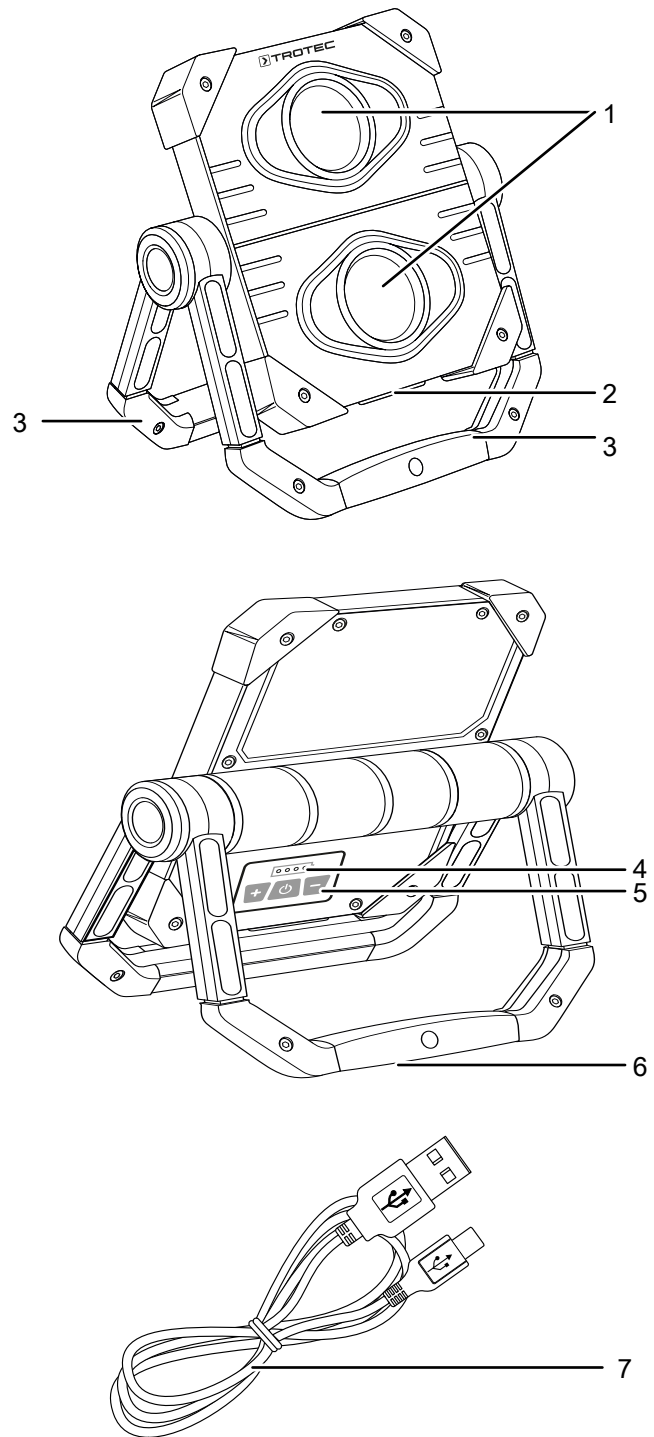
The device is equipped with two feet that can be used as transport handles when folded up. There is a magnetic holder under each of the feet, which allows the device to be attached to magnetic surfaces.

The device has a built-in battery that is charged via a USB-C port and a charging socket provided by the customer.

The battery status is displayed by a battery indication (4 LEDs).

The device can also be used as a power bank.

**Device depiction**




No.	Designation
1	Surface LED
2	USB connections
3	Foot/transport handle
4	Battery indication (4 LEDs)
5	Control panel
6	Magnetic holder (☐☐☐☐ symbol)
7	USB charging cable

## Scope of delivery

- 1 x LED work light
- 1 x Manual
- 1 x USB charging cable

## Technical data

Parameter		Value
Surface LED	Power consumption	2 x 10 W
	Luminous flux	2300 lm
	Burn time	2.5 to 12 hours, depending on light intensity
	Colour temperature	6500 K
Dimensions (length x width x height)		45 x 170 x 220 mm
Weight (packaging excluded)		600 g
Length USB cable		0.5 m
Nominal voltage USB type 2 (power bank function)		5 V
Nominal current output USB type 2 (power bank function)		1 A
<b>Battery (integrated)</b>		
Battery type		Li-ion
Nominal voltage		3.7 V
Nominal capacity		5000 mAh
Rechargeable cells		1
Capacity		18.5 Wh
Charging time		5 h
Permitted ambient temperature (when stored)		-20 °C – +50 °C
Operating temperature		-20 °C – +50 °C
Temperature during charging		max. 75 °C
Protection type		IP 20
Protection class		

## Transport and storage

### Transport

#### Notice

If you store or transport the device improperly, the device may be damaged.

Note the information regarding transport and storage of the device.

To make the device easier to transport, it is fitted with a carry handle.

**Before** transporting the device, observe the following:

The supplied Li-ion batteries are subjects to the requirements of dangerous goods legislation.

Observe the following when transporting or shipping Li-ion batteries:

- The user may transport the batteries by road without any additional requirements.
- If transport is carried out by third parties (e.g. air transport or forwarding company), special requirements as to packaging and labelling must be observed. This includes consulting a dangerous goods specialist when preparing the package.
  - Only ship batteries if their housing is undamaged.
  - Please also observe any other national regulations.

### Storage

**Before** storing the device, proceed as follows:

- Clean the device as described in the Maintenance chapter.
- Do not store Li-ion batteries which are completely discharged. Storing discharged batteries can lead to a deep discharge and thus damage the battery.

When the device is not being used, observe the following storage conditions:

- dry and protected from frost and heat
- protected from dust and direct sunlight

## Start-up

### Unpacking the device

- Take the device and the accessories out of the packaging.
- Check the contents for completeness and look for damages.



#### Warning

Risk of suffocation!

Do not leave the packaging lying around. Children may use it as a dangerous toy.

- Dispose of the packaging material according to the national regulations.

### Positioning the device

The feet (3) and the surface LEDs (1) can be set to different locking positions. Please proceed as follows to position the device:

1. Pull the feet apart until reaching the desired position.
2. Fold the two surface LEDs apart until reaching the desired position.

Place the device on its feet so that it is stable. Alternatively, you can use the two magnetic holders on the feet (6) to attach the device to a magnetic surface.

## Charging the battery

### Notice

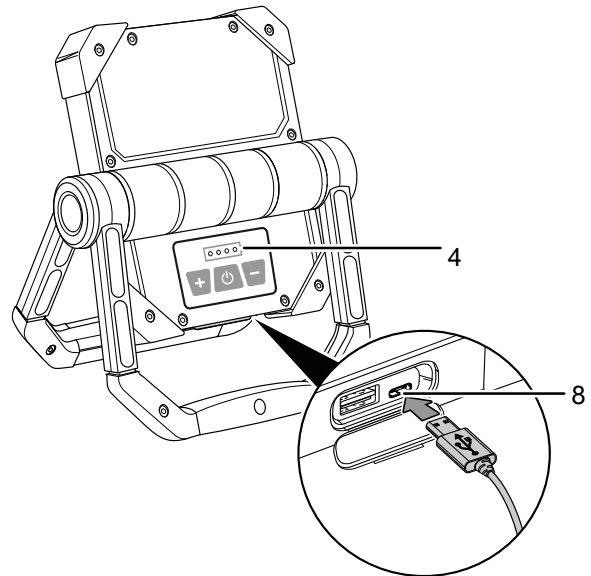
The battery can be damaged in case of improper charging.

The battery can only be charged when the device is switched off. Never charge the battery at ambient temperatures below -20 °C or above 50 °C.

Charge the battery completely before using the device. Use the USB charging cable (7) and a standard charger with USB-A socket.

Proceed as follows to charge the battery:

1. Open the cover of the USB connections at the bottom of the cordless work light (2).
2. Insert the USB-A plug of the supplied charging cable into a charging socket of the charger (provided by the customer, not included in the scope of delivery).
3. Insert the USB-C connector of the charging cable (7) into the USB-C port/input (8) on the device.



- ⇒ When the battery status is very low, the charging time is 5 hours.
  - ⇒ When the battery is charged below 25 %, the first LED of the battery indication (4) flashes. When the battery is charged more than 25 %, the first LED of the battery indication (4) is illuminated and the second LED flashes. When the battery is charged more than 50 %, the first two LEDs of the battery indication (4) are illuminated and the third LED flashes. At a battery status of more than 75 %, the first three LEDs of the battery indication (4) are illuminated and the fourth LED flashes.
  - ⇒ When the battery is charged 100 %, all four LEDs of the battery indication (4) are illuminated.
4. When all LEDs of the battery indication (4) are illuminated and the battery is completely charged, remove the USB charging cable (8) from the charging socket and from the device.
- ⇒ The device is now ready to use.

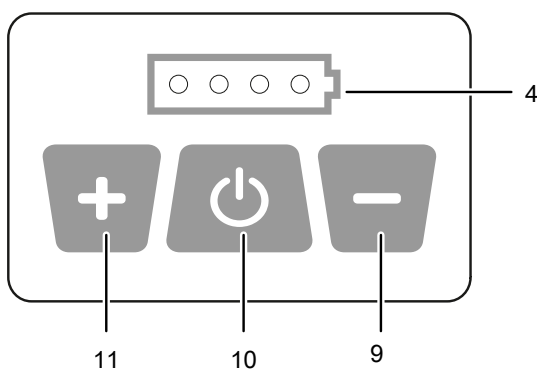
## Operation

### Tips and notes on handling the LED work light

#### General information:

- Do not look directly into the LEDs! The optical radiation can be harmful for your eyes.
- Use the devices only for a temporary illumination of indoor and outdoor areas, e.g. for construction sites.
- The device may be used as a strobe light.
- Never discharge the battery completely, as this may damage the battery.

### Control panel



No.	Designation
4	Battery indication (4 LEDs)
9	Minus button (lower light intensity)
10	Power button
11	Plus button (higher light intensity)

### Setting brightness level and strobe mode

Please proceed as follows to switch the device on or off and to set the light intensity and the strobe mode.

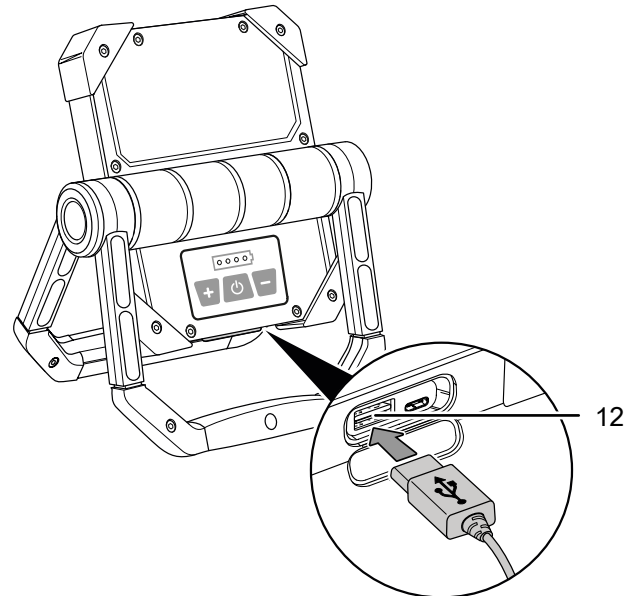
- ✓ Check whether the battery is fully charged. Charge the battery if necessary.
1. To switch on the battery light, press the Power button (10) once.
    - ⇒ The upper LED (1) lights up with medium brightness.
  2. To switch on the second LED, press the Power button (10) again.
    - ⇒ Both LEDs light up with medium brightness.
  3. To switch on strobe mode, press the Power button (10) a third time.

Using the *Plus* button (11) and *Minus* button (9) you can adjust the brightness of the activated LEDs in five stages.

### Using the light as a power bank

If you want to charge a device with a USB-C socket, you can use the supplied charging cable.

1. Insert the USB-A plug of the charging cable (7) into the socket (12) of the PWLS 08-10.



2. Insert the USB-C plug into the device to be charged.
  - ⇒ During charging, the battery indication shows the charging status of the battery light.
3. Charge your device until it has reached the desired charging status.
4. Disconnect the USB charging cable (7) from the device that has been charged and from the PWLS 08-10.

#### Notice

For devices with other USB connections, use a suitable charging cable with a USB-A plug.

#### Notice

The device discharges when used as a power bank. Never discharge the battery completely, as this may damage the battery.

### Shutdown

- Switch the device off.
- Clean the device according to the Maintenance chapter.
- Store the device according to the Storage chapter.

## Errors and faults

The device has been checked for proper functioning several times during production. If malfunctions occur nonetheless, check the device according to the following list.

Troubleshooting tasks which require the housing to be opened must only be carried out by an authorized specialist electrical company or by the manufacturer.

### The battery does not charge:

- Check the device's battery indication (4 LEDs) to see whether the battery has already been completely charged.
- Check the USB charging cable for damage. If the USB charging cable is damaged, stop using it. Contact the Trotec customer service.

### The device is not lit:

- The device's battery power is too low. Charge the battery using the USB charging cable.
- Check the battery indication to see whether the battery has been completely charged.
- The LEDs are possibly damaged. Contact the Trotec customer service.

### The device still does not operate correctly after these checks:

Please contact the customer service. If necessary, bring the device to an authorised specialist electrical company or to the manufacturer for repair.

## Maintenance

### Notice

Work on the electrical components must only be carried out by an authorised specialist company!

### Notice

There is a risk of a short-circuit due to liquids penetrating the housing! Do not immerse the device in water. Make sure that no water or other liquids can enter the housing. Otherwise the device could be damaged.

### Notes on maintenance

The device does not require maintenance.

### Cleaning

Clean the device if required.

- Clean the device with a soft, damp and lint-free cloth. Make sure that no moisture enters the housing. Protect electrical components from moisture. Do not use any aggressive cleaning agents such as cleaning sprays, solvents, alcohol-based or abrasive cleaners to dampen the cloth.
- Dry the device with a soft, lint-free cloth.
- Keep the connecting terminals on the device and charger clean.



## Disposal

Always dispose of packing materials in an environmentally friendly manner and in accordance with the applicable local disposal regulations.



The icon with the crossed-out wheeled bin indicates that this device and any associated components must not be disposed of with household waste at the end of their life, in accordance with the Waste Electrical and Electronic Equipment Directive (2012/19/EU) and national laws.

You will find collection points for free return of waste electrical and electronic equipment in your vicinity. The addresses can be obtained from your municipality or local administration. You can also find out about other return options that apply for many EU countries on the website <https://hub.trotec.com/?id=45090>. Otherwise, please contact an official recycling centre for electronic and electrical equipment authorised for your country.

The separate collection of waste electrical and electronic equipment aims to enable the re-use, recycling and other forms of recovery of waste equipment as well as to prevent negative effects for the environment and human health caused by the disposal of hazardous substances potentially contained in the equipment.

### Only for United Kingdom

According to Waste Electrical and Electronic Equipment Regulations 2013 (SI 2013/3113) (as amended) devices that are no longer usable must be collected separately and disposed of in an environmentally friendly manner.

Trotec GmbH

Grebener Str. 7  
D-52525 Heinsberg

📞 +49 2452 962-400

📠 +49 2452 962-200

[info@trotec.com](mailto:info@trotec.com)

[www.trotec.com](http://www.trotec.com)